

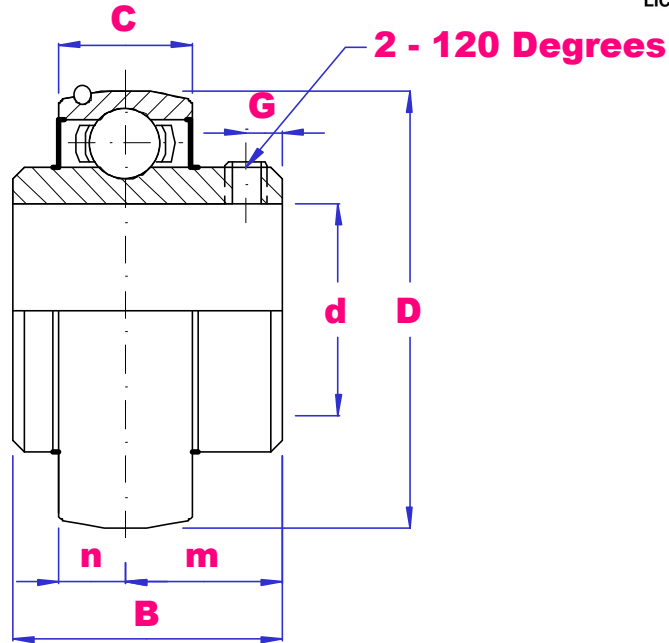


# UBC

## UCX00 SERIES INCH BORE BEARING INSERT



Quality  
Endorsed  
Company  
ISO 9001:2000  
LIC QEC20818



PART NO	d inch	D mm	B mm	C mm	n mm	m mm	G mm	Load D-kN	Load S-kN	Max Rpm	Wgt kg
UCX05-15	15/16	62	38.1	19	15.9	22.2	5	19.5	11.31	4900	0.38
UCX05-16	1										0.36
UCX06-18	1.1/8	72	42.9	20	17.5	25.4	6	25.7	15.30	4100	0.47
UCX06-19	1.3/16										0.46
UCX06-20	1.1/4										0.45
UCX07-20	1.1/4	80	49.2	21	19	30.2	8	29.1	19.84	3600	0.74
UCX07-22	1.3/8										0.72
UCX08-24	1.1/2	85	49.2	22	19	30.2	8	32.5	20.46	3400	0.80
UCX09-27	1.11/16	90	51.6	23	19	32.6	9	35.1	23.18	3100	0.95
UCX09-28	1.3/4										0.92
UCX10-30	1.7/8	100	55.6	24	22.2	33.4	9	43.5	29.22	2800	1.21
UCX10-31	1.15/16										1.19
UCX11-32	2	110	65.1	26	25.4	39.7	10	52.5	32.93	2500	1.72
UCX11-35	2.3/16										1.68
UCX12-36	2.1/4	120	65.1	27	25.4	39.7	10	57.5	40.00	2400	1.95
UCX12-38	2.3/8										1.97
UCX13-39	2.7/16	125	74.6	29	30.2	44.4	12	61.9	45.03	2200	2.36
UCX13-40	2.1/2										2.33
UCX15-47	2.15/16	140	82.6	32	33.3	49.3	12	72.5	53.31	1950	3.28
UCX15-48	3										3.22
UCX17-52	3.1/4	160	96	36	39.7	56.3	12	95.9	71.76	1700	4.83
UCX18-56	3.1/2	170	104	38	42.9	61.1	14	109	81.93	1600	5.49
UCX20-64	4	190	117	42	49.2	68.3	16	133	105.2	1500	9.04