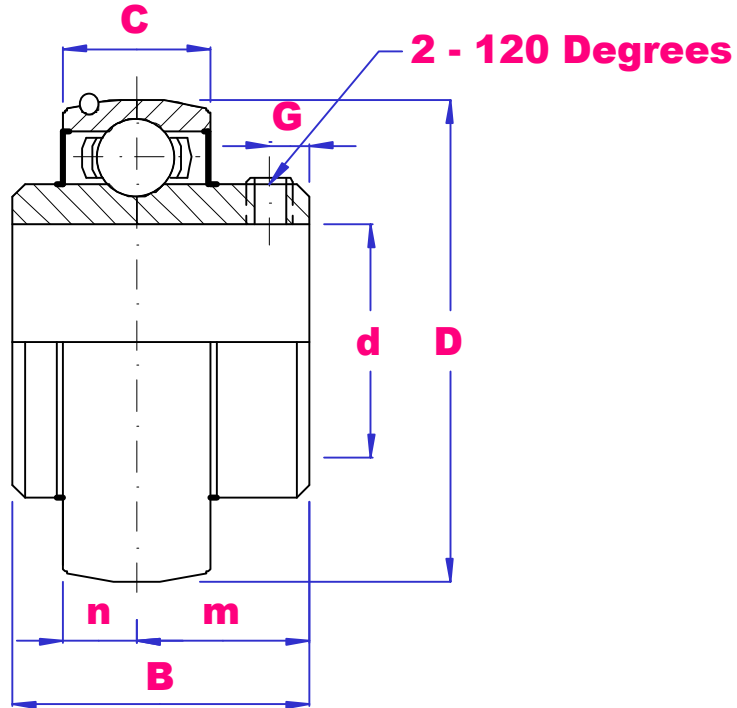




UBC

UC300 SERIES METRIC BORE BEARING INSERT



PART NO	d mm	D mm	B mm	C mm	n mm	m mm	G mm	Load D-kN	Load S-kN	Max Rpm	Wgt kg
UC305	25	62	38	21	15	23	6	21.2	10.85	5200	0.44
UC306	30	72	43	23	17	26	6	26.7	14.95	4300	0.56
UC307	35	80	48	25	19	29	8	33.5	19.14	3900	0.71
UC308	40	90	52	27	19	33	10	40.5	23.95	3400	1.00
UC309	45	100	57	30	22	35	10	53.2	32.18	3000	1.28
UC310	50	110	61	32	22	39	12	62.1	38.44	2700	1.65
UC311	55	120	66	34	25	41	12	71.5	44.95	2500	2.07
UC312	60	130	71	36	26	45	12	82.1	52.22	2300	2.59
UC313	65	140	75	38	30	45	12	92.5	59.88	2200	3.15
UC314	70	150	78	40	33	45	12	104.2	68.14	2000	3.83
UC315	75	160	82	42	32	50	14	112.8	77.11	1900	4.59
UC316	80	170	86	44	34	52	14	122.9	86.47	1800	5.40
UC317	85	180	96	46	40	56	16	133.2	96.88	1700	6.58
UC318	90	190	96	48	40	56	16	142.9	107.5	1600	7.34
UC319	95	200	103	50	41	62	16	153.2	118.8	1500	8.70
UC320	100	215	108	54	42	66	18	172.7	140.8	1400	10.8
UC321	105	225	112	56	44	68	18	184.0	153.2	1300	12.2
UC322	110	240	117	60	46	71	18	204.5	178.7	1250	14.3
UC324	120	260	126	64	51	75	18	207.4	185.5	1200	18.5
UC326	130	280	135	68	54	81	20	228.8	214.7	1100	23.0
UC328	140	300	145	73	59	86	20	253.6	246.7	1000	28.5