

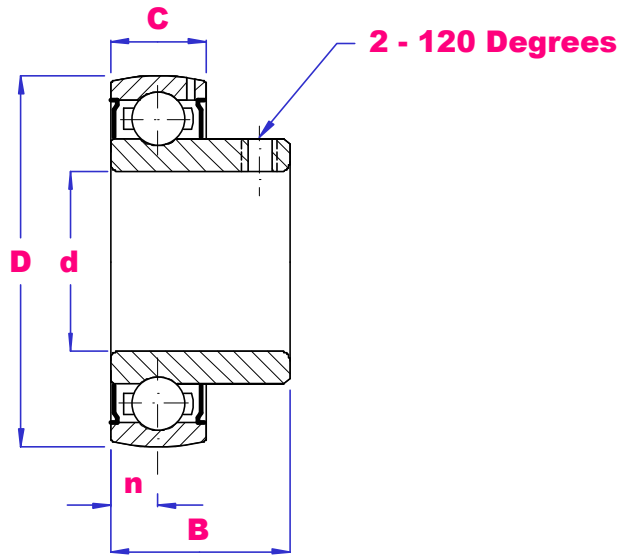


UBC

SB200 SERIES BEARING INSERT



Quality
Endorsed
Company
ISO 9001:2000
LIC QEC20818



| PART NO | d mm | D mm | B mm | C mm | n mm | Load D-kN | Load S-kN | Max Rpm | Wgt kg |
|--------------|------|------|------|------|------|-----------|-----------|---------|--------|
| SB203-12MM | 12 | 40 | 22 | 12 | 6 | 7.36 | 4.79 | 8000 | 0.08 |
| SB203-15MM | 15 | 40 | 22 | 12 | 6 | 7.36 | 4.79 | 8000 | 0.075 |
| SB203 | 17 | 40 | 22 | 12 | 6 | 7.36 | 4.79 | 8000 | 0.07 |
| SB204-17MM | 17 | 47 | 25 | 14 | 7 | 12.81 | 6.65 | 6800 | 0.14 |
| SB204 | 20 | 47 | 25 | 14 | 7 | 12.81 | 6.65 | 6800 | 0.12 |
| SB205 (ZZ) | 25 | 52 | 27 | 15 | 7.5 | 14.11 | 9.93 | 5700 | 0.16 |
| SB206 (ZZ) | 30 | 62 | 30 | 16 | 8 | 19.49 | 11.31 | 4900 | 0.25 |
| SB207 (ZZ) | 35 | 72 | 32 | 17 | 8.5 | 25.68 | 15.31 | 4100 | 0.38 |
| SB208 (ZZ) | 40 | 80 | 34 | 18 | 9 | 29.12 | 19.84 | 3600 | 0.58 |
| SB208-50(ZZ) | 50 | 80 | 34 | 18 | 9 | 20.78 | 15.58 | 3900 | 0.38 |
| SB210 (ZZ) | 50 | 90 | 42.5 | 20 | 10 | 35.05 | 23.18 | 3100 | 0.64 |

INCH BORES

| | | | | | | | | | |
|----------|--------|----|------|----|-----|-------|-------|------|------|
| SB203-8 | 1/2 | 40 | 22 | 12 | 6 | 7.36 | 4.79 | 8000 | 0.08 |
| SB203-10 | 5/8 | 40 | 22 | 12 | 6 | 7.36 | 4.79 | 8000 | 0.07 |
| SB204-12 | 3/4 | 47 | 25 | 14 | 7 | 12.81 | 6.65 | 6800 | 0.13 |
| SB205-14 | 7/8 | 52 | 27 | 15 | 7.5 | 14.11 | 9.93 | 5700 | 0.18 |
| SB205-15 | 15/16 | | | | | | | | 0.17 |
| SB205-16 | 1 | | | | | | | | 0.16 |
| SB206-18 | 1.1/8 | 62 | 30 | 16 | 8 | 19.49 | 11.31 | 4900 | 0.26 |
| SB206-19 | 1.3/16 | | | | | | | | 0.25 |
| SB206-20 | 1.1/4 | | | | | | | | 0.24 |
| SB207-20 | 1.1/4 | 72 | 32 | 17 | 8.5 | 25.68 | 15.31 | 4100 | 0.43 |
| SB207-22 | 1.3/8 | | | | | | | | 0.38 |
| SB207-23 | 1.7/16 | | | | | | | | 0.37 |
| SB208-24 | 1.1/2 | 80 | 34 | 18 | 9 | 29.12 | 19.84 | 3600 | 0.60 |
| SB209-28 | 1.3/4 | 80 | 34 | 18 | 9 | 20.78 | 15.58 | 3900 | 0.38 |
| SB210-32 | 2 | 90 | 42.5 | 20 | 10 | 35.05 | 23.18 | 3100 | 0.64 |

SIZES MARKED ZZ ARE RECOMMENDED FOR GO KART AXLES