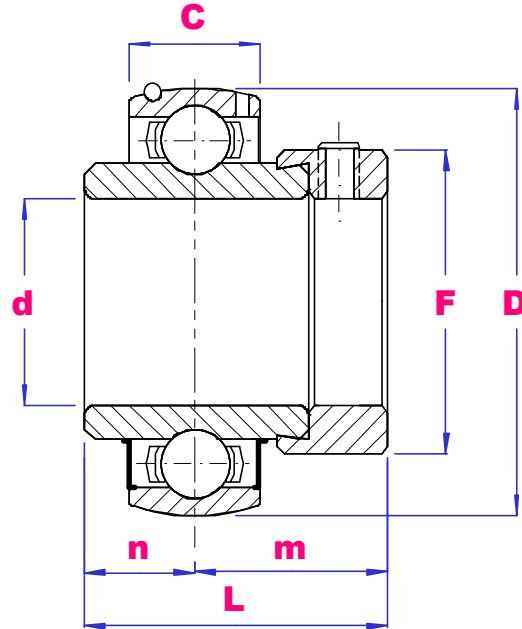




UBC

NA200 SERIES INCH BORE BEARING INSERT



PART NO	d	D mm	L mm	C mm	n mm	m mm	F mm	Load D-Kn	Load S-Kn	Max Rpm	Wgt kg
NA204-12	3/4	47	43.7	17	17.1	26.6	33.3	12.81	6.65	6800	0.23
NA205-14	7/8	52	44.4	17	17.5	26.9	38.1	14.11	9.93	5700	0.29
NA205-15	15/16										0.27
NA205-16	1										0.24
NA206-18	1.1/8	62	48.4	19	18.3	30.1	44.5	19.49	11.3	4900	0.43
NA206-20	1.1/4										0.38
NA207-20	1.1/4	72	51.1	20	18.8	32.3	55.6	25.68	15.31	4100	0.68
NA207-22	1.3/8										0.61
NA207-23	1.7/16										0.58
NA208-24	1.1/2	80	56.3	21	21.4	34.9	60.3	29.12	19.84	3600	0.83
NA209-27	1.11/16	85	56.3	22	21.4	34.9	63.5	32.52	20.46	3400	0.91
NA209-28	1.3/4										0.87
NA210-30	1.7/8	90	62.7	24	24.6	38.1	69.9	35.05	23.18	3100	1.10
NA210-31	1.15/16										1.04
NA211-32	2	100	71.4	25	27.8	43.6	76.2	43.48	29.22	2800	1.58
NA211-35	2.3/16										1.36
NA212-36	2.1/4	110	77.7	27	25.4	52.3	84.2	52.3	36.1	2500	1.96
NA212-38	2.3/8										1.85
NA212-39	2.7/16										1.82
NA213-39	2.7/16	120	85.8	29	25.4	60.4	86	57.48	40.15	2400	2.15
NA213-40	2.1/2										2.12
NA214-43	2.11/16	125	85.8	30	30.2	55.6	90	62.11	45.03	2200	2.38
NA214-44	2.3/4										2.34
NA215-47	2.15/16	130	92.1	30	33.3	58.8	101.4	66.12	49.3	2100	2.71
NA215-48	3										2.68
NA217-52	3.1/4	150	73.2	35	33.3	39.9	114.3	83.24	63.89	1800	4.1
NA218-55	3.7/16	160	72.5	37	34.1	38.4	127	96.52	71.76	1700	5.3
NA218-56	3.1/2										5.2