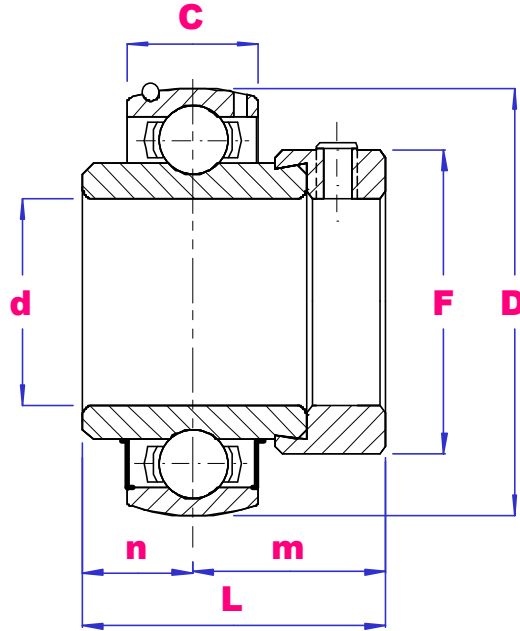




UBC

NA200 SERIES METRIC BORE BEARING INSERT



PART NO	d	D mm	L mm	C mm	n mm	m mm	F mm	Load D-Kn	Load S-Kn	Max Rpm	Wgt kg
NA204	20	47	43.7	17	17.1	26.6	33.3	12.81	6.65	6800	0.22
NA205	25	52	44.4	17	17.5	26.9	38.1	14.11	9.93	5700	0.25
NA206	30	62	48.4	19	18.3	30.1	44.5	19.49	11.31	4900	0.41
NA207	35	72	51.1	20	18.8	32.3	55.6	25.68	15.31	4100	0.60
NA208	40	80	56.3	21	21.4	34.9	60.3	29.12	19.84	3600	0.78
NA209	45	85	56.3	22	21.4	34.9	63.5	32.52	20.46	3400	0.85
NA210	50	90	62.7	24	24.6	38.1	69.9	35.05	23.18	3100	1.01
NA211	55	100	71.4	25	27.8	43.6	76.2	43.48	29.22	2800	1.39
NA212	60	110	77.7	27	25.4	52.3	84.2	52.3	36.1	2500	1.85
NA213	65	120	85.8	29	25.4	60.4	86	57.48	40.15	2400	2.11
NA214	70	125	85.8	30	30.2	55.6	90	62.11	45.03	2200	2.34
NA215	75	130	92.1	30	33.3	58.8	101.4	66.12	49.3	2100	2.70
NA216	80	140	95.2	33	33.3	61.9	108	72.55	53.31	1950	3.19
NA217	85	150	73.2	35	34.1	39.9	114.3	83.24	63.89	1800	4.1
NA218	90	160	72.5	37	39.7	38.4	127	96.52	71.76	1700	5.3