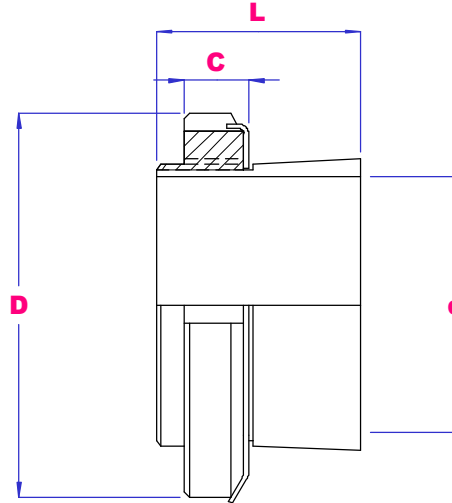




UBC

METRIC ADAPTER SLEEVES 20 – 50MM ID



PART NO	d mm	D mm	L mm	C mm	Thread	Wgt kg
H205	20	38	26	7	M25X1.5	0.069
H305		38	29	7	M25X1.5	0.075
H2305		38	35	7	M25X1.5	0.087
HX2306		45	38	9	M30X1.5	0.121
H206	25	45	27	9	M30X1.5	0.091
H306		45	31	9	M30X1.5	0.100
H2306		45	38	9	M30X1.5	0.117
HX2307		52	43	10	M35X1.5	0.195
H207	30	52	29	10	M35X1.5	0.129
H307		52	35	10	M35X1.5	0.147
H2307		52	43	10	M35X1.5	0.171
HX2308		58	46	11	M40X1.5	0.255
H208	35	58	31	11	M40X1.5	0.171
H308		58	36	11	M40X1.5	0.185
H2308		58	46	11	M40X1.5	0.222
HX2309		65	50	12	M45X1.5	0.315
H209	40	65	33	12	M45X1.5	0.216
H309		65	39	12	M45X1.5	0.246
H2309		65	50	12	M45X1.5	0.283
HX2310		70	55	13	M50X1.5	0.395
H210	45	70	35	13	M50X1.5	0.216
H310		70	42	13	M50X1.5	0.301
H2310		70	55	13	M50X1.5	0.353
HX2311		75	59	13	M55X2	0.475
H211	50	75	37	13	M55X2	0.292
H311		75	45	13	M55X2	0.351
H2311		75	59	13	M55X2	0.426
HX2312		80	62	13	M60X2	0.575