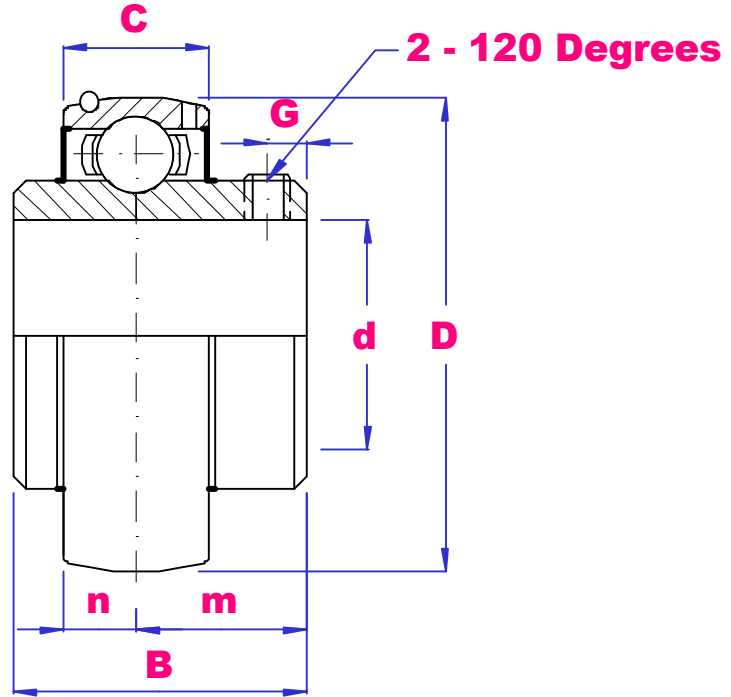




# UBC

## UC300 SERIES INCH BORE BEARING INSERT



PART NO	d in	D mm	B mm	C mm	n mm	m mm	G mm	Load D-kN	Load S-kN	Max Rpm	Wgt kg
UC308-24	1.1/2	90	52	27	19	33	10	40.5	23.95	3400	1.00
UC309-26	1.5/8										1.28
UC309-27	1.11/16	100	57	30	22	35	10	53.2	32.18	3000	1.26
UC309-28	1.3/4										1.23
UC310-30	1.7/8	110	61	32	22	39	12	62.1	38.44	2700	1.69
UC310-31	1.15/16										1.65
UC311-32	2										2.07
UC311-34	2.1/8	120	66	34	25	41	12	71.5	44.95	2500	2.04
UC311-35	2.3/16										2.00
UC312-36	2.1/4	130	71	36	26	45	12	82.1	52.22	2300	2.65
UC312-39	2.7/16										2.59
UC313-40	2.1/2	140	75	38	30	45	12	92.5	59.88	2200	3.15
UC314-43	2.11/16	150	78	40	33	45	12	104.2	68.14	2000	3.83
UC314-44	2.3/4										3.78
UC315-47	2.15/16	160	82	42	32	50	14	112.8	77.11	1900	4.59
UC315-48	3										4.48
UC317-52	3.1/4	180	96	46	40	56	16	133.2	96.88	1700	6.58
UC318-56	3.1/2	190	96	48	40	56	16	142.9	107.5	1600	7.34
UC319-60	3.3/4	200	103	50	41	62	16	153.2	118.8	1500	8.70
UC320-64	4	215	108	54	42	66	18	172.7	140.8	1400	10.8