

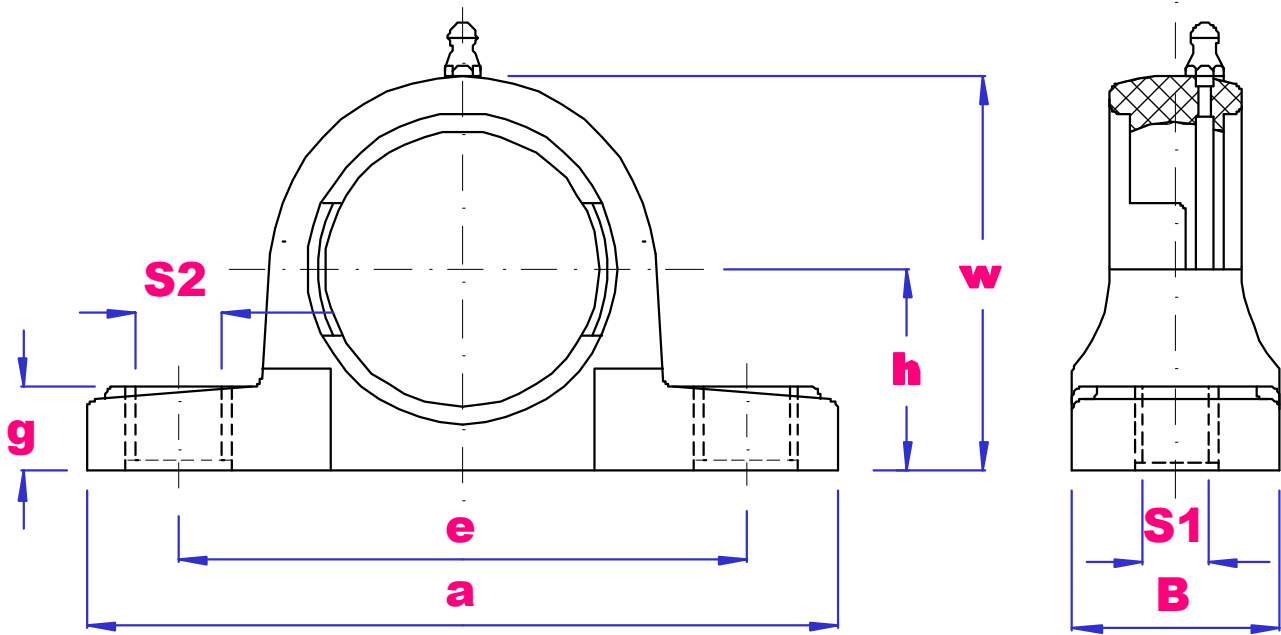


UBC

PL-P200 SERIES THERMOPLASTIC HOUSINGS



Quality
Endorsed
Company
ISO 9001:2000
LIC QEC20818



PART NO	h mm	a mm	e mm	B mm	S1 mm	S2 mm	g mm	w mm	Bolt mm	Wgt kg
PL-P204	33.3	127	95	37	11	14	14.2	65.5	M10	0.13
PL-P205	36.5	140	105	38	11	14	14.5	71	M10	0.14
PL-P206	42.9	160	121	44	14	18	17.8	84	M12	0.25
PL-P207	47.6	167	127	48	14	18	18	94.5	M12	0.27
PL-P208	49.2	180	137	52	14	18	19.5	99	M12	0.32
PL-P209	54	189	146	54	17	20	23	106	M16	0.37
PL-P210	57.2	204	159	60	17	20	23	114	M16	0.44
PL-P211	63.5	217	171	60	17	20	24	128	M16	0.53
PL-P212	69.9	238	184	66	17	20	26	141	M16	0.66

SUITABLE BEARINGS

S-UC200, S-SB200, UC200, SB200, SA200, NA200, UK200, CS200

OPEN AND CLOSED COVERS AVAILABLE