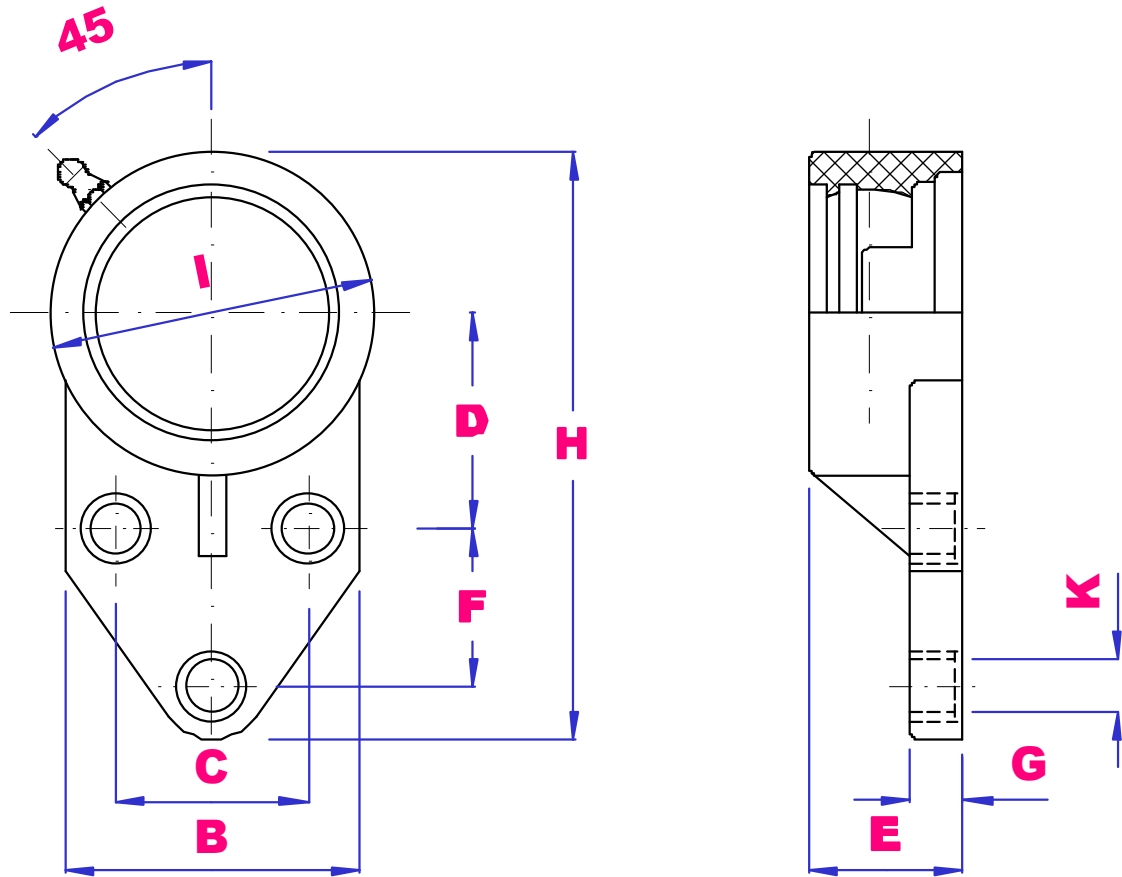


UBC

PL-FB200 SERIES THERMOPLASTIC HOUSING



PART NO	H mm	D mm	C mm	F mm	G mm	E mm	K mm	I mm	B mm	Bolt mm	Wgt kg
PL-FB204	108	42.9	33.7	22.2	11.4	31.2	10.7	63.5	62	M10	0.08
PL-FB205	121	46	41.2	28.6	11.4	32.8	10.7	70	63.5	M10	0.11
PL-FB206	139	52.4	41.5	31.8	13.3	35.4	10.7	83	76	M10	0.15
PL-FB207	157	60.3	47.1	31.8	16.1	37.5	13.1	95	89	M12	0.20
PL-FB208	178	67.3	50.8	35.5	18.5	39.5	13.1	103	99	M12	0.28

SUITABLE BEARINGS

S-UC200, S-SB200, UC200, SB200, SA200, NA200, UK200, CS200

OPEN AND CLOSED COVERS AVAILABLE