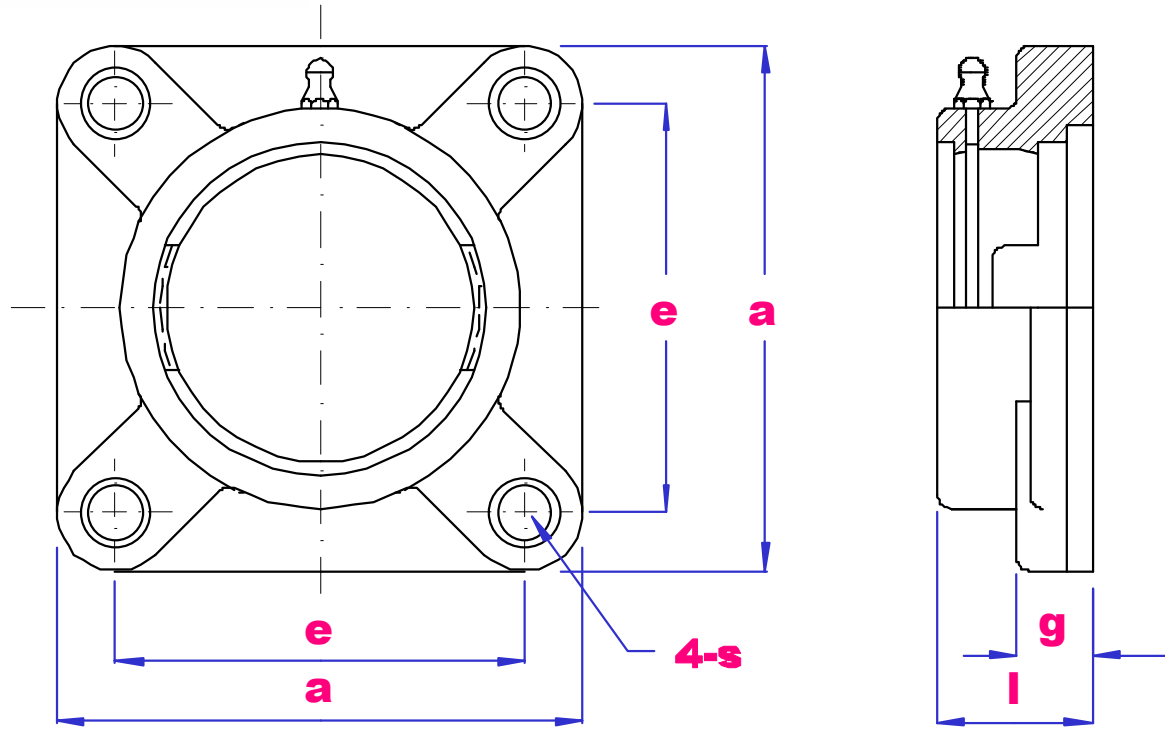




UBC

PL-F200 SERIES THERMOPLASTIC HOUSING



PART NO	a mm	e mm	g mm	l mm	s mm	Bolt mm	Wgt kg
PL-F204	88	64	13.4	27.8	11	M10	0.13
PL-F205	95	70	14	28	11	M10	0.14
PL-F206	107	83	14.3	31.5	11	M10	0.21
PL-F207	118	92	15.5	34.8	13	M12	0.26
PL-F208	130	102	17	37.5	14	M12	0.34
PL-F209	137	105	19	41	17	M16	0.41
PL-F210	143	111	21	43	17	M16	0.44
PL-F211	162	130	19	47	17	M16	0.56
PL-F212	175	143	19	52	19	M16	0.63

SUITABLE BEARINGS

S-UC200, S-SB200, UC200, SB200, SA200, NA200, UK200, CS200

OPEN AND CLOSED COVERS AVAILABLE