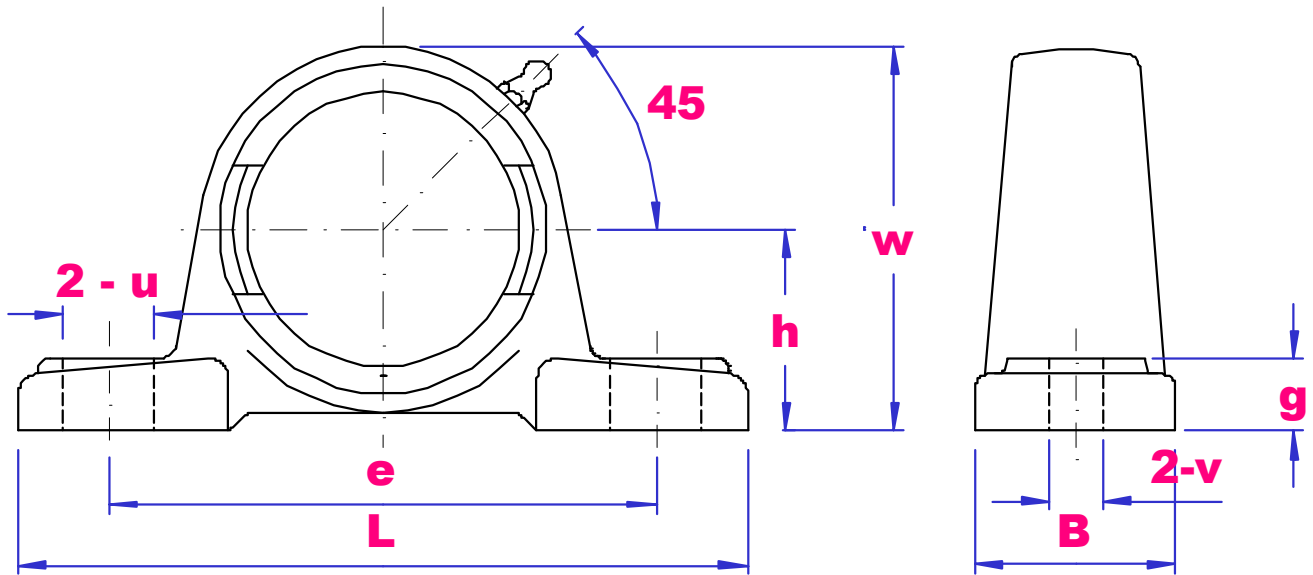




# UBC

## S-P200 SERIES STAINLESS STEEL HOUSING



PART NO	h mm	L mm	e mm	B mm	v mm	u mm	g mm	w mm	Bolt mm	Wgt kg
S-P203	30.2	125	95	32	12	16	13	57	M10	0.60
S-P204	33.3	127	95	37	13	19	15	64	M10	0.53
S-P205	36.5	140	105	38	13	19	15	69.5	M10	0.57
S-P206	42.9	160	121	44	14	19	16	82	M12	0.94
S-P207	47.6	167	127	48	15	19	17	92	M12	1.09
S-P208	49.2	180	137	52	15	21	18	98	M12	1.27
S-P209	54	189	146	54	15	21	20	106	M12	1.52
S-P210	57.2	204	159	60	19	22	21	112	M16	1.97
S-P211	63.5	217	171	60	19	22	22	125	M16	2.23
S-P212	69.9	238	184	66	19	25	24	137	M16	3.19
S-P213	76.2	262	203	70	23	29	26	149	M20	3.74
S-P214	79.4	266	210	72	23	29	27	155	M20	4.55
S-P215	82.6	274	217	74	25	29	28	162	M20	5.09

SUITABLE BEARING SERIES

S-UC200,S-SB200, UC200,UK200, NA200, SB200, SA200, CS200