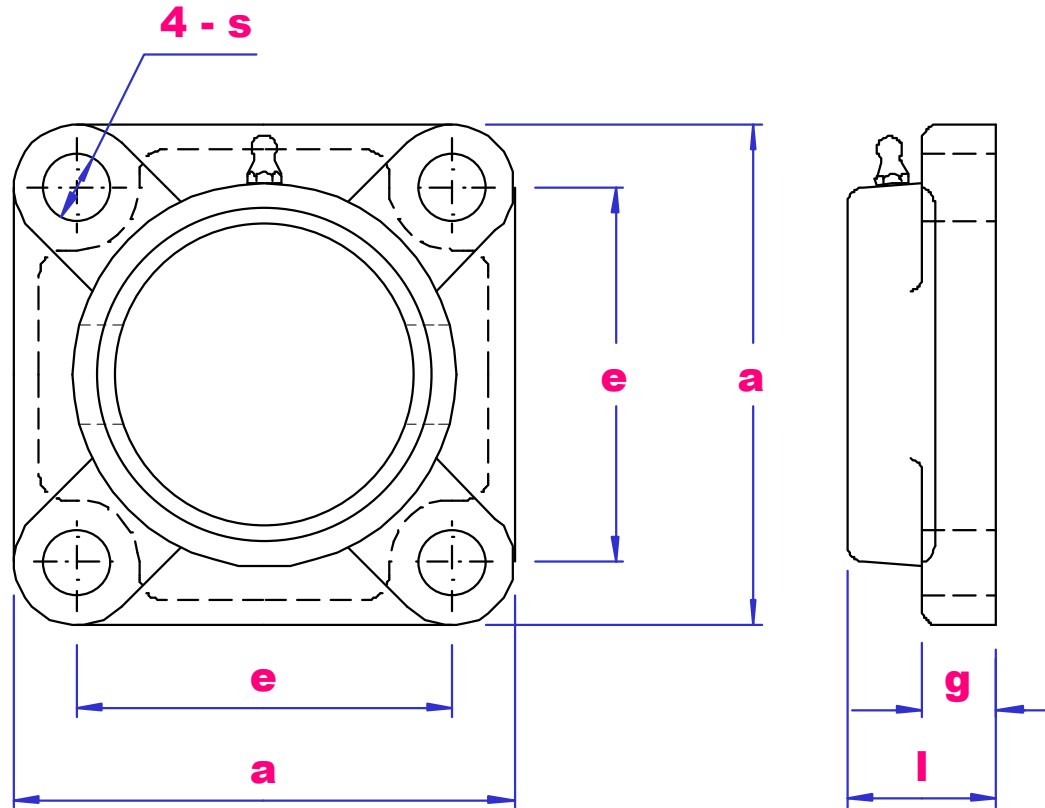




UBC

S-F200 SERIES STAINLESS STEEL HOUSING



PART NO	a mm	e mm	g mm	l mm	s mm	Bolt mm	Wgt kg
S-F203	76	54	11	25.5	12	M10	0.51
S-F204	86	64	11	25.5	12	M10	0.44
S-F205	95	70	13	27	12	M10	0.61
S-F206	108	83	13	31	12	M10	0.69
S-F207	117	92	15	34	14	M12	0.94
S-F208	130	102	15	36	16	M14	1.17
S-F209	137	105	16	38	16	M14	1.52
S-F210	143	111	16	40	16	M14	1.62
S-F211	162	130	18	43	19	M16	2.43
S-F212	175	143	18	48	19	M16	2.69
S-F213	187	149	22	50	19	M16	3.44
S-F214	193	152	22	54	19	M16	3.85
S-F215	200	159	22	56	19	M16	4.09

SUITABLE BEARING SERIES

S-UC200, S-SB200, UC200, NA200, UK200, SB200, SA200, CS200