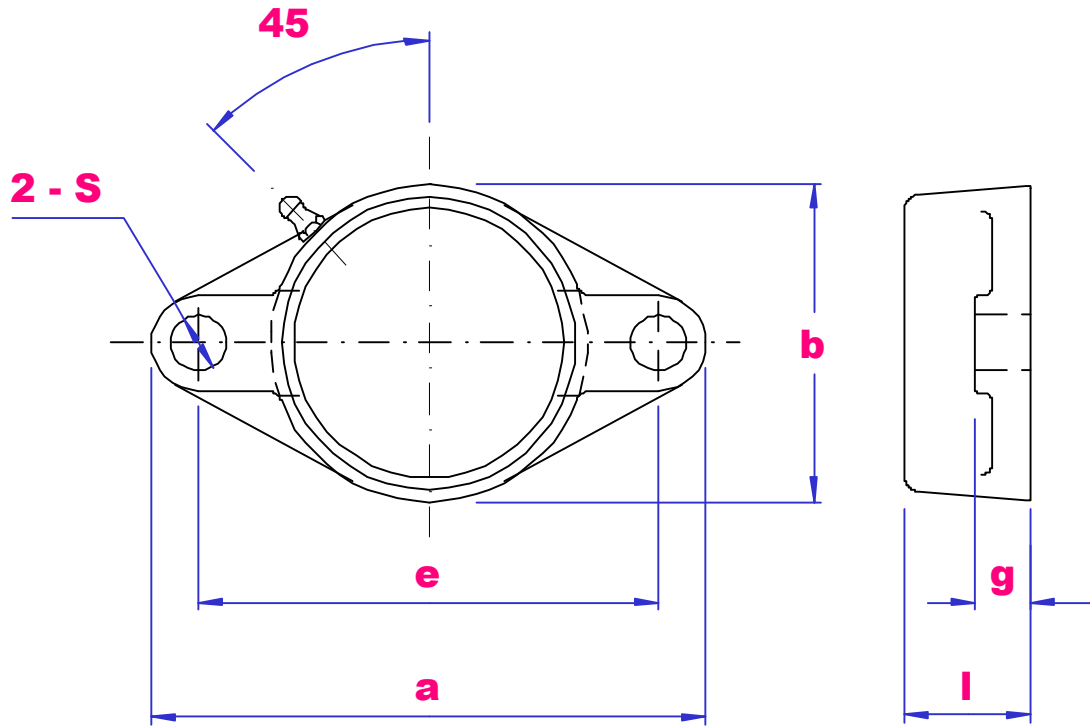




# UBC

## S-FL200 SERIES STAINLESS STEEL HOUSING



| PART NO | a mm | e mm | g mm | l mm | s mm | b mm | Bolt mm | Wgt kg |
|---------|------|------|------|------|------|------|---------|--------|
| S-FL203 | 99   | 76.5 | 11   | 25.5 | 11.5 | 57   | M10     | 0.27   |
| S-FL204 | 113  | 90   | 11   | 25.5 | 12   | 60   | M10     | 0.28   |
| S-FL205 | 130  | 99   | 13   | 27   | 16   | 68   | M14     | 0.47   |
| S-FL206 | 148  | 117  | 13   | 31   | 16   | 80   | M14     | 0.55   |
| S-FL207 | 161  | 130  | 15   | 34   | 16   | 90   | M14     | 0.69   |
| S-FL208 | 175  | 144  | 15   | 36   | 16   | 100  | M14     | 0.83   |
| S-FL209 | 188  | 148  | 16   | 38   | 19   | 108  | M16     | 1.17   |
| S-FL210 | 197  | 157  | 16   | 40   | 19   | 115  | M16     | 1.20   |
| S-FL211 | 224  | 184  | 18   | 43   | 23   | 130  | M16     | 1.83   |
| S-FL212 | 250  | 202  | 18   | 48   | 23   | 140  | M20     | 2.19   |

SUITABLE BEARING SERIES

S-UC200, S-SB200, UC200, NA200, UK200, SB200, SA200, CS200