

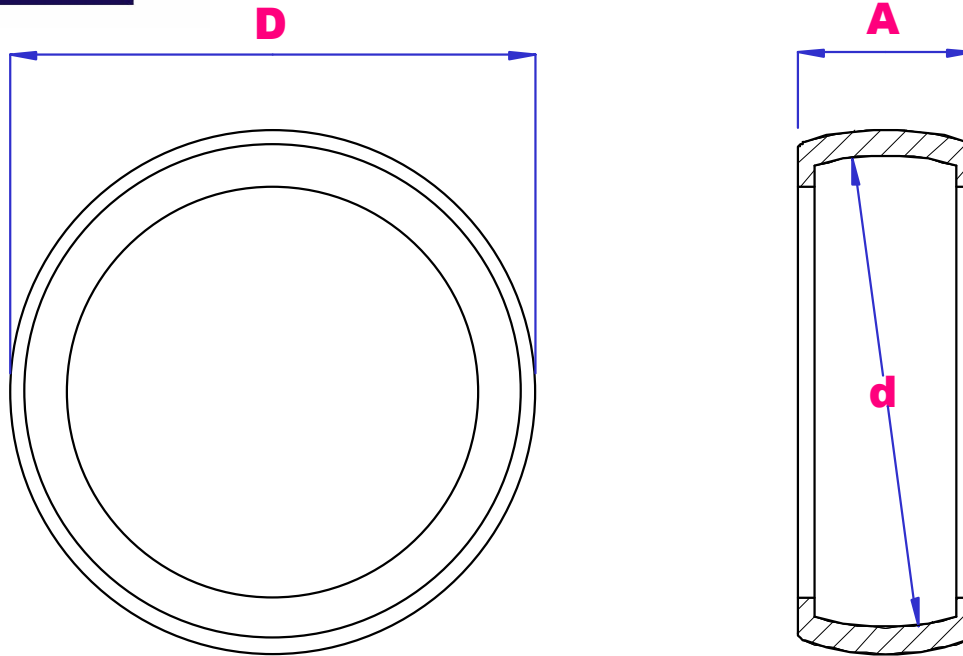


UBC

RGN/RGW200 SERIES RUBBER INSERTS



Quality
Endorsed
Company
ISO 9001:2000
LIC QEC20818



PART NO	d mm	D mm	A mm
RGN203	40	47	15
RGN204	47	52	17
RGN205	52	62	18
RGN206	62	72	20
RGN207	72	80	21
RGN208	80	85	23
SUITABLE BEARING SERIES - SB200, SA200, CS200. SUITABLE HOUSING SERIES - PP200, PF200, PFT200, PFL200.			
RGW204	47	52	20
RGW205	52	62	20
RGW206	62	72	24
RGW207	72	80	26
SUITABLE BEARING SERIES - UC200, NA200, UK200. SUITABLE HOUSING SERIES - PP200, PF200, PFT200, PFL200.			