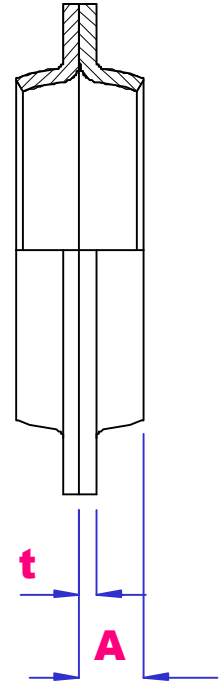
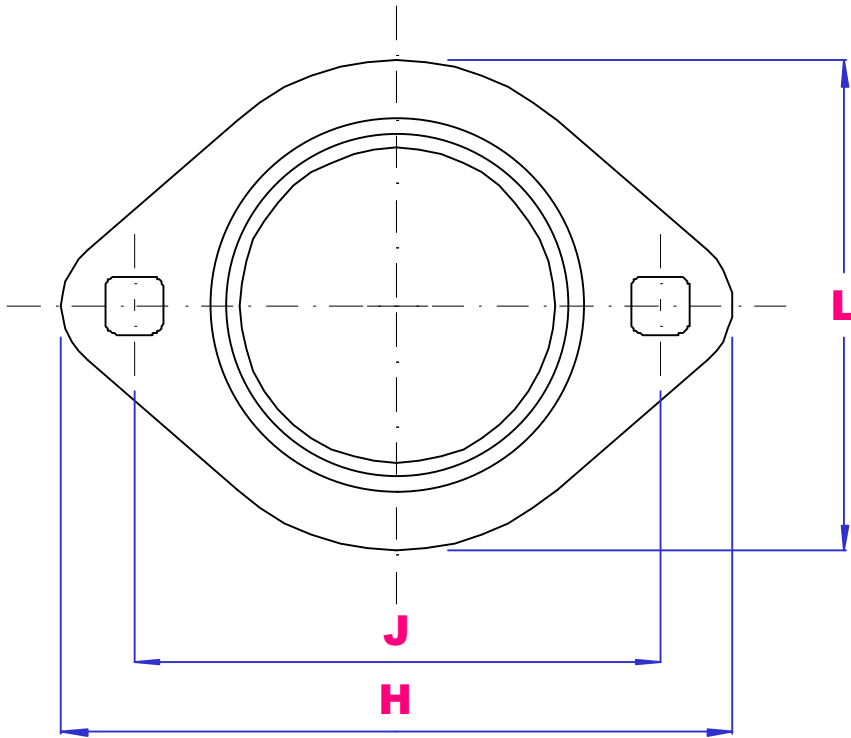




UBC

PFL 200 SERIES PRESSED STEEL HOUSING



PART NO	t mm	H mm	J mm	A mm	L mm	Bolt mm	Wgt kg
PFL203	2.0	81	63.5	7.0	59	M6	0.18
PFL204	2.0	90	71.5	9.0	67	M8	0.20
PFL205	2.0	95	76.0	9.0	71	M8	0.24
PFL206	2.5	113	90.5	11.0	84	M10	0.36
PFL207	2.5	125	100	11.0	94	M10	0.40
PFL208	3.5	148	119	13.5	106	M12	0.50

SUITABLE BEARING SERIES - SB200, SA200, CS200.

ALL SIZES ARE ZINC PLATED