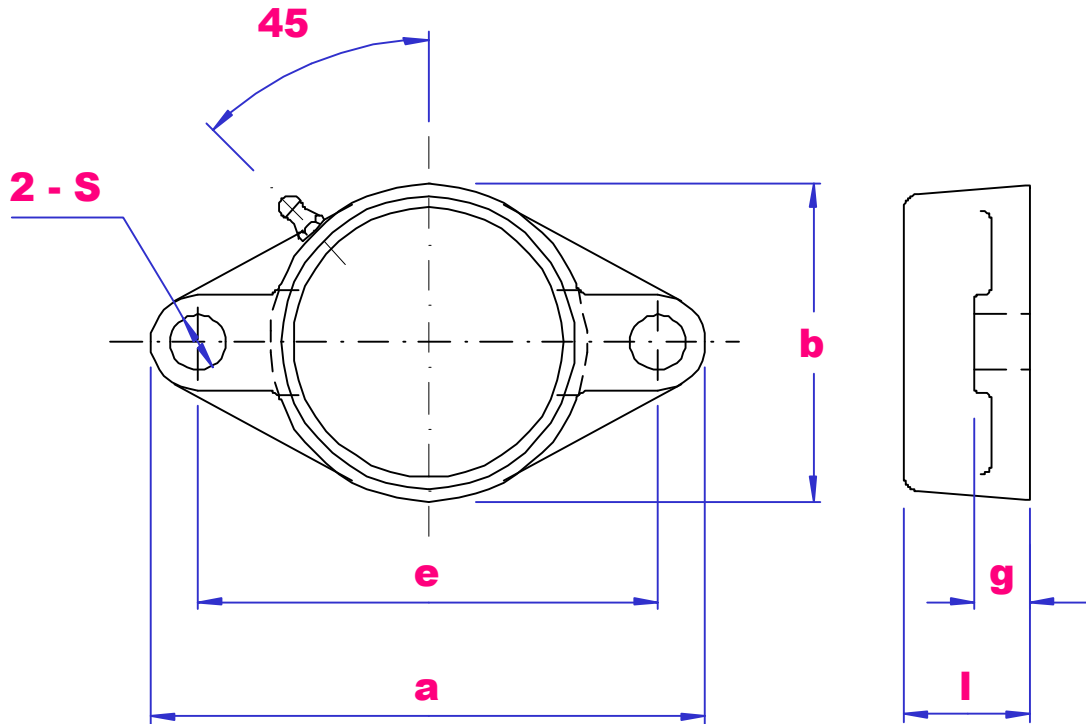




UBC

FL200 SERIES HOUSING



PART NO	a mm	e mm	g mm	l mm	s mm	b mm	Bolt mm	Wgt kg
FL203	99	76.5	11	25.5	11.5	57	M10	0.27
FL204	113	90	11	25.5	12	60	M10	0.28
FL205*	130	99	13	27	12/16	68	M14	0.47
FL206*	148	117	13	31	12/14/16	80	M14	0.55
FL207*	161	130	15	34	14/16	90	M14	0.69
FL208*	175	144	15	36	14/16	100	M14	0.83
FL209	188	148	16	38	19	108	M16	1.17
FL210	197	157	16	40	19	115	M16	1.20
FL211	224	184	18	43	23	130	M16	1.83
FL212	250	202	18	48	23	140	M20	2.19
FL213	258	210	22	50	23	155	M20	2.90
FL214	265	216	22	54	23	160	M20	3.25
FL215	275	225	22	56	23	165	M20	3.64
FL216	290	233	22	58	25	180	M22	4.21
FL217	305	248	24	63	25	190	M22	6.42
FL218	320	265	24	68	25	205	M22	7.94

SUITABLE BEARING SERIES- UC200, NA200, UK200, SB200, SA200, CS200

HOUSINGS FL204 – FL212 ARE AVAILABLE IN 304C STAINLESS STEEL

AVAILABLE MACHINED FOR OPEN AND CLOSED COVERS, SUFFIX M.