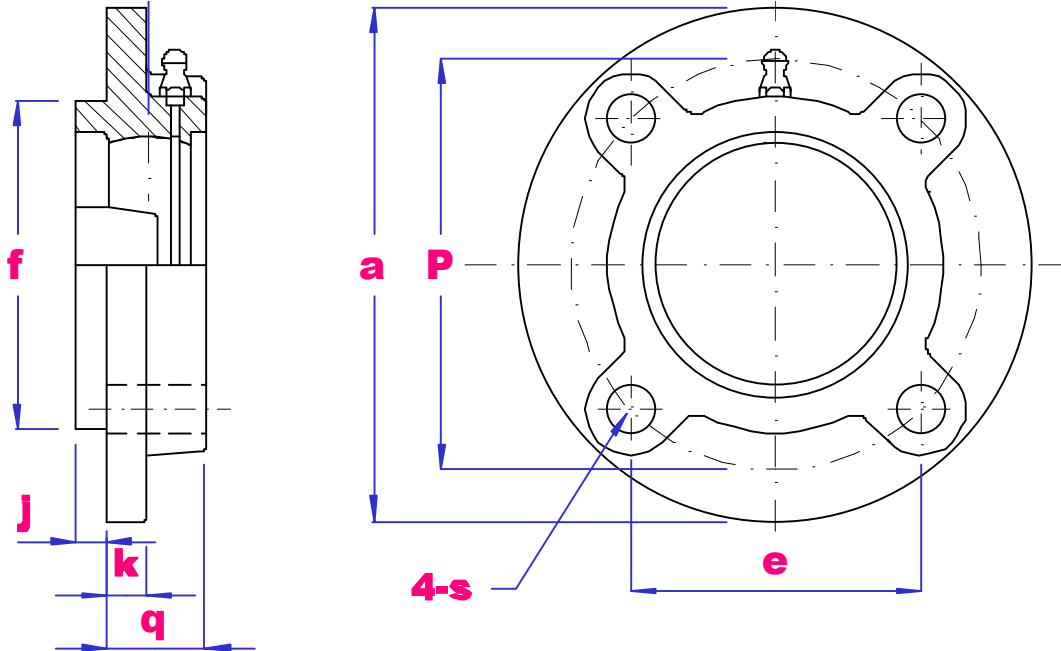




UBC

FCX00 SERIES HOUSING



PART NO	a mm	P mm	e mm	s mm	J mm	k mm	q mm	f mm	Bolt mm	Wgt kg
FCX05	111	92	65	9.5	6	9.5	24	76	M8	0.83
FCX06	127	105	74.2	12	9.5	9.5	22.5	85	M10	1.04
FCX07	133	111	78.5	12	11	11	26	92	M10	1.16
FCX08	133	111	78.5	12	11	11	26	92	M10	1.21
FCX09	155	130	91.9	14	12	11	25	108	M12	1.68
FCX10	162	136	96.2	14	16	11	25	118	M12	1.99
FCX11	180	152	107.5	16	22	13	26	127	M14	2.58
FCX12	194	165	116.7	16	20	14	33	140	M14	3.33
FCX13	194	165	116.7	16	20	14	33	140	M14	3.37
FCX14	222	190	134.3	19	20	14	36	164	M16	4.73
FCX15	222	190	134.3	19	22	16	35	164	M16	4.78
FCX16	260	219	154.8	23	25	19	36	186	M20	7.49
FCX17	260	219	154.8	23	25	19	36	186	M20	8.07
FCX18	260	219	154.8	23	28	19	43	186	M20	7.41
FCX20	276	238	168.3	23	28	22	66	206	M20	6.96

SUITABLE BEARING SERIES- UCX00, UK200+HX2300.

AVAILABLE MACHINED FOR OPEN AND CLOSED COVERS, SUFFIX M.