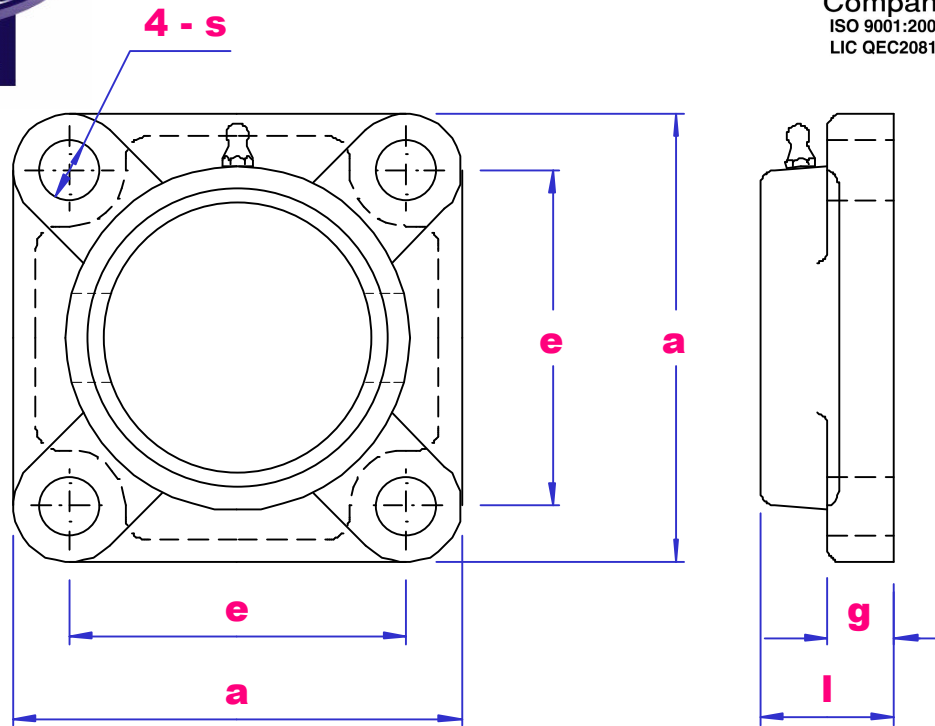




# UBC

## F300 SERIES HOUSING



PART NO	a mm	e mm	g mm	l mm	s mm	Bolt mm	Wgt kg
F305	110	80	13	29	16	M14	0.76
F306	125	95	15	32	16	M14	1.24
F307	135	100	16	36	19	M16	1.49
F308	150	112	17	40	19	M16	1.90
F309	160	125	18	44	19	M16	2.22
F310	175	132	19	48	23	M20	3.15
F311	185	140	20	52	23	M20	3.53
F312	195	150	22	56	23	M20	4.11
F313	208	166	22	58	23	M20	4.65
F314	226	178	25	61	25	M22	6.27
F315	236	184	25	66	25	M22	6.51
F316	250	196	27	68	31	M27	7.40
F317	260	204	27	74	31	M27	8.82
F318	280	216	30	76	35	M30	11.66
F319	290	228	30	94	35	M30	12.00
F320	310	242	32	94	38	M33	14.00
F322	340	266	35	96	41	M36	20.40
F324	370	290	40	110	41	M36	28.70
F326	410	320	45	115	41	M36	39.70
F328	450	350	55	125	41	M36	58.50

SUITABLE BEARING SERIES - UC300, UK300

AVAILABLE MACHINED FOR OPEN AND CLOSED COVERS, SUFFIX M.