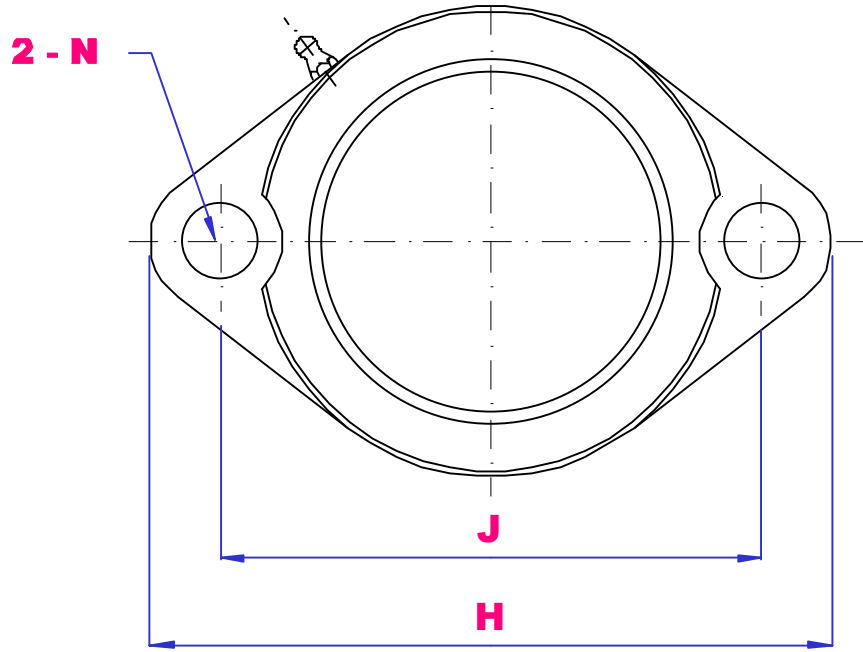
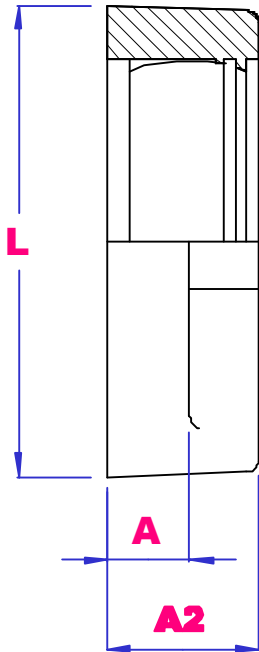




# UBC

## LF200 SERIES HOUSING



PART NO	H mm	J mm	L mm	A2 mm	A mm	N mm	Bolt mm	Wgt kg
LF203	81	63.5	56	9.5	18	8	M6	0.15
LF204	90	71.5	61	11	20	10	M8	0.18
LF205	95	76	64	11	20	10	M8	0.20
LF206	113	90.5	76	12	22.5	12	M10	0.30
LF207	122	100	89	13	24	12	M10	0.35
LF208	149	119	105	13	24	14	M12	0.68

SUITABLE BEARING SERIES – SA200, SB200, CS200.

AVAILABLE MACHINED FOR OPEN AND CLOSED COVERS, SUFFIX M.