

Z8 SERIES

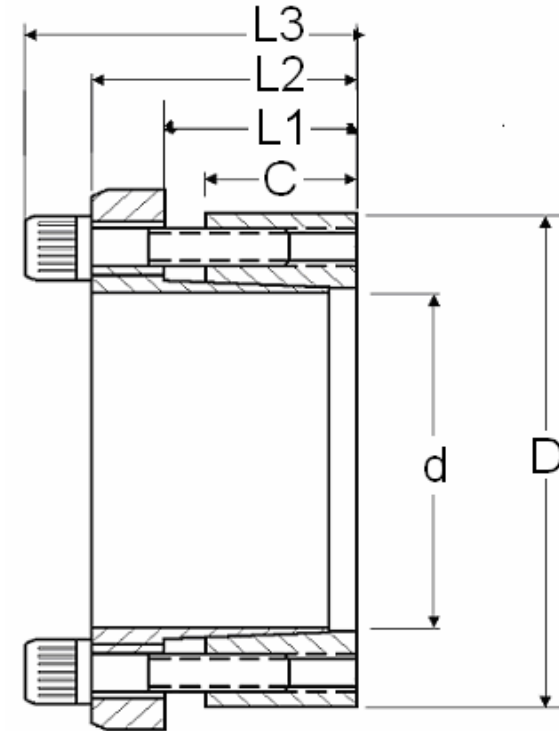
LOCKING ASSEMBLIES

Ma = screw tightening torque

Ft = axial holding force when $Mt=0$

Mt = transmissible torque when $Ft=0$

Pf = specific pressure on mating shaft and hub



Z - Lock number	DIMENSIONS						SCREWS			CAPACITIES				
	d	D	C	L1	L2	L3	Size	Qty	Ma Nm	Ft kN	Mt kNm	Pf-N/mm2 Shaft	hub	Wgt kg
Z8-20X47	20	47	17	22	28	34	M6x20	5	17	28	0.28	219	95	0.28
Z8-24X50	24	50	17	22	28	34	M6x20	5	17	28	0.34	185	95	0.30
Z8-25X50	25	50	17	22	28	34	M6x20	6	17	34	0.42	210	110	0.31
Z8-28X55	28	55	17	22	28	34	M6x20	6	17	33	0.47	187	100	0.35
Z8-30X55	30	55	17	22	28	34	M6x20	6	17	33	0.50	174	100	0.36
Z8-35X60	35	60	17	22	28	34	M6x20	8	17	45	0.78	199	110	0.39
Z8-38x63	38	63	17	22	28	34	M6x20	8	17	45	0.84	188	108	0.41
Z8-40X65	40	65	17	22	28	34	M6x20	8	17	45	0.90	176	105	0.45
Z8-45X75	45	75	20	25	33	41	M8x25	7	41	72	1.60	214	135	0.70
Z8-50X80	50	80	20	25	34	42	M8x25	7	41	72	1.80	213	130	0.80
Z8-55X85	55	85	20	25	34	42	M8x25	8	41	83	2.25	222	135	0.85
Z8-60X90	60	90	20	25	34	42	M8x25	8	41	83	2.47	203	125	0.90

Z8-65X95	65	95	20	25	34	42	M8x25	9	41	93	3.02	205	135	0.96
Z8-70X110	70	110	24	30	42	52	M10x30	8	83	131	4.60	227	140	1.70
Z8-75X115	75	115	24	30	42	52	M10x30	8	83	131	4.90	212	130	1.82
Z8-80X120	80	120	24	30	42	52	M10x30	8	83	131	5.25	198	125	1.92
Z8-85X125	85	125	24	30	42	52	M10x30	9	83	148	6.30	210	135	1.96
Z8-90X130	90	130	24	30	42	52	M10x30	9	83	148	6.65	198	130	2.10
Z8-95X135	95	135	24	30	42	52	M10x30	10	83	164	7.80	209	140	2.20
Z8-100X145	100	145	26	32	46	58	M12x35	8	145	215	10.75	229	145	2.90
Z8-105X150	105	150	26	32	46	58	M12X35	8	145	215	11.15	221	140	3.05
Z8-110X155	110	155	26	32	46	58	M12x35	8	145	215	11.85	208	135	3.20
Z8-120X165	120	165	26	32	46	58	M12x35	9	145	215	12.90	191	140	3.40
Z8-125X170	125	170	26	32	46	58	M12X35	9	145	215	15.85	189	135	4.15
Z8-130X180	130	180	34	40	52	64	M12x40	12	145	308	19.90	190	140	4.60
Z8-140X190	140	190	34	40	57	71	M14x40	9	230	296	20.90	181	120	5.40
Z8-150X200	150	200	34	40	57	71	M14x40	10	230	328	24.60	187	120	5.70
Z8-160X210	160	210	34	40	57	71	M14x40	11	230	361	28.95	193	130	6.00
Z8-170X225	170	225	44	50	64	78	M14x40	12	230	394	33.55	150	115	8.30
Z8-180X235	180	235	44	50	64	78	M14x40	12	230	394	35.55	142	110	8.80
Z8-190X250	190	250	44	50	64	78	M14x40	15	230	597	52.05	187	130	9.50
Z8-200X260	200	260	44	50	64	78	M14x40	15	230	548	54.80	177	125	9.90
Z8-220X285	220	285	50	56	75	91	M16x40	12	355	548	60.25	141	100	14.4
Z8-240X305	240	305	50	56	75	91	M16x40	15	355	685	82.26	161	120	15.5
Z8-260X325	260	325	50	56	75	91	M16x50	18	355	731	95.10	180	120	16.7
Z8-280X355	280	355	60	66	87	105	M18x50	16	485	879	123.0	139	110	24.0
Z8-300X375	300	375	60	66	87	105	M18x50	18	485	989	148.0	146	120	25.0
Z8-320X405	320	405	74	81	104	124	M20x50	18	690	1140	182.5	128	100	38.0
Z8-340X425	340	425	74	81	104	124	M20x50	24	690	1280	218.0	136	110	40.8
Z8-360X455	360	455	86	94	120	142	M22x60	18	930	1600	290.0	138	110	48.0
Z8-380X475	380	475	86	94	120	142	M22x60	21	930	1600	305.0	131	105	57.0
Z8-400X495	400	495	86	94	120	142	M22x60	21	930	1770	355.0	137	110	63.0