

Z5 SERIES

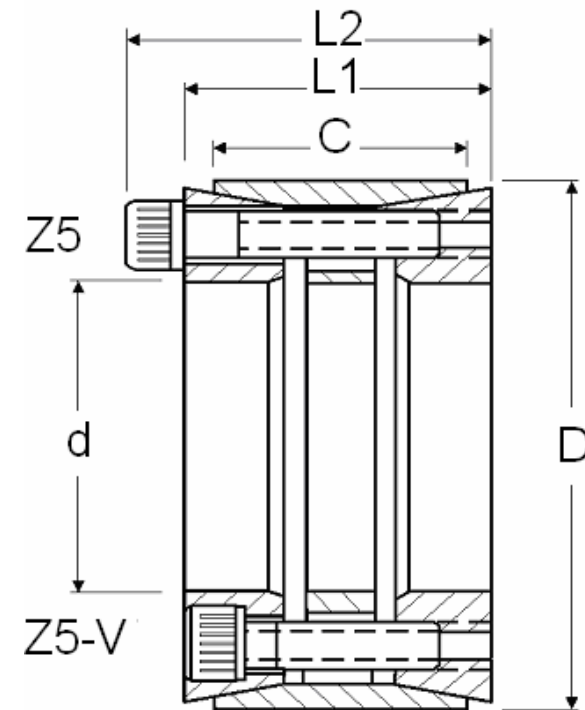
LOCKING ASSEMBLIES

Ma = screw tightening torque

Ft = axial holding force when Mt=0

Mt = transmissible torque when Ft=0

Pf = specific pressure on mating shaft and hub



DIMENSIONS						SCREWS			CAPACITIES				
Z – Lock number	d	D	C	L1	L2	Size	Qty	Ma Nm	Ft kN	Mt kNm	Pf-N/mm2 Shaft hub		Wgt kg
Z5-100X145	100	145	60	65	77	M12X50	10	145	372	18.6	205	126	4.1
Z5-110X155	110	155	60	65	77	M12X50	10	145	372	20.5	187	118	4.4
Z5-120X165	120	165	60	65	77	M12X50	12	145	408	24.5	188	122	4.8
Z5-130X180	130	180	68	74	86	M12X60	15	145	520	33.8	197	128	6.5
Z5-140X190	140	190	68	74	86	M12X60	18	145	557	39.1	196	130	7.0
Z5-150X200	150	200	68	74	86	M12X60	18	145	557	41.8	183	123	7.4
Z5-160X210	160	210	68	74	86	M12X60	21	145	593	47.5	183	125	7.8
Z5-170X225	170	225	75	81	95	M14X65	18	230	764	64.9	193	133	10.0
Z5-180X235	180	235	75	81	95	M14X65	18	230	777	83.0	182	127	10.6
Z5-190X250	190	250	88	94	108	M14X65	20	230	815	88.0	163	103	14.3
Z5-200X260	200	260	88	94	108	M14X65	24	230	1020	105	194	124	15.0

Z5-200X260V	200	260	88	94	94	M12X70	24	145	763	76.3	156	101	14.8
Z5-210X275	210	275	98	104	120	M16X90	18	355	1060	110	185	120	17.5
Z5-220X285	220	285	98	104	120	M16X90	18	355	1070	117	174	113	19.8
Z5-240X305	240	305	98	104	120	M16X90	24	355	1410	170	212	140	21.4
Z5-250X315	250	315	98	104	120	M16X90	24	355	1460	181	209	138	22.0
Z5-260X325	260	325	98	104	120	M16X90	25	355	1480	193	205	138	23.0
Z5-280X355	280	355	120	126	144	M18X110	24	485	1650	232	213	141	35.2
Z5-280X355V	280	355	120	126	126	M16X100	24	355	1429	200	170	112	35.0
Z5-300X375	300	375	120	126	144	M18X110	25	485	1660	249	198	134	37.4
Z5-300X375V	300	375	120	126	126	M16X100	24	355	1483	222	159	107	37.0
Z5-320X405	320	405	135	142	162	M20X120	25	690	2170	354	191	125	51.3
Z5-320X405V	320	405	135	142	142	M18X110	24	485	1840	295	153	100	51.0
Z5-340X425	340	425	135	142	162	M20X120	25	690	2210	376	180	119	54.1
Z5-340X425V	340	425	135	142	142	M18X110	24	485	1840	313	144	96	53.8
Z5-360X455	360	455	158	165	187	M22X130	25	690	2680	496	185	118	74.4
Z5-380X475	380	475	158	165	187	M22X130	25	930	2750	524	175	113	79.0
Z5-380X475V	380	475	158	165	165	M20X120	24	690	2378	452	140	90	78.5
Z5-400X495	400	495	158	165	187	M22X130	25	930	3010	602	183	122	82.8
Z5-420X515	420	515	158	165	187	M22X130	30	930	3300	694	190	127	86.5
Z5-440X535	440	535	158	165	187	M22X130	30	930	3300	728	166	123	109
Z5-450X555	450	555	172	180	204	M24X150	30	1200	3700	832	159	120	112
Z5-460X555	460	555	172	180	204	M24X150	32	1200	3700	832	159	118	115
Z5-480X585	480	585	172	180	204	M24X150	32	1200	3950	948	159	119	119
Z5-500X605	500	605	172	180	204	M24X150	32	1200	3950	988	153	115	123
Z5-530X640	530	640	190	200	227	M27X160	30	1600	4320	1145	164	120	151
Z5-560X670	560	670	190	200	227	M27X160	30	1600	4320	1210	163	121	160
Z5-600X710	600	710	190	200	227	M27X160	32	1600	4320	1380	153	118	170