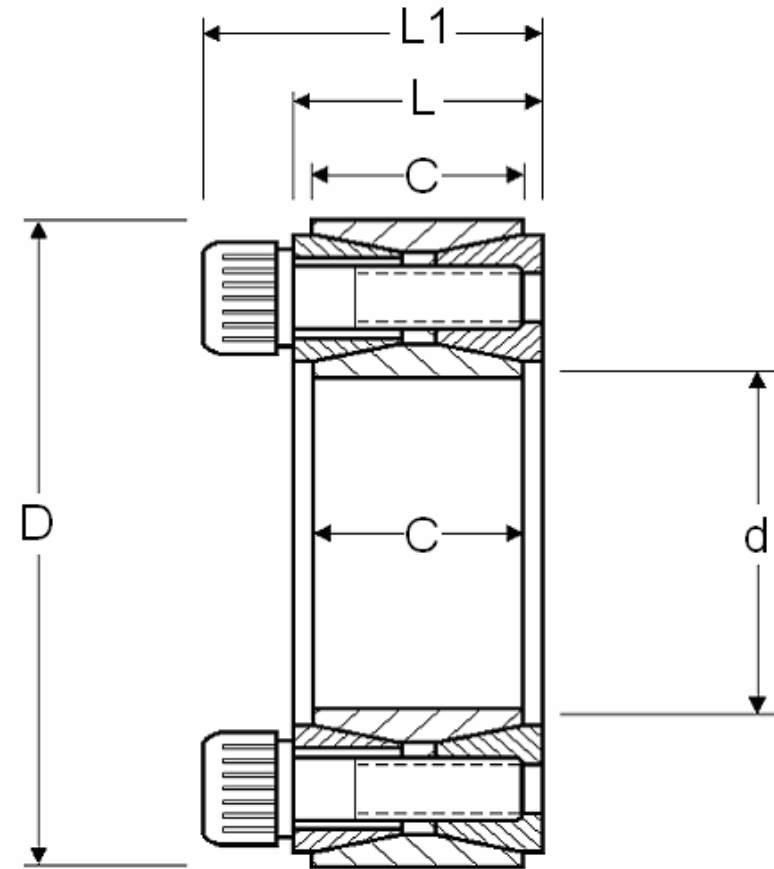


# Z2 SERIES

## LOCKING ASSEMBLIES

**Ma** = screw tightening torque  
**Ft** = axial holding force when  $Mt=0$   
**Mt** = transmissible torque when  $Ft=0$   
**Pf** = specific pressure on mating shaft and hub



Z - Lock number	DIMENSIONS					SCREWS			CAPACITIES				
	d	D	C	L	L1	Size	Qty	Ma Nm	Ft kN	Mt kNm	Pf-N/mm2 Shaft hub		Wgt kg
<b>Z2-200x260</b>	200	260	46	52	68	M14x45	30	230	630	63.5	182	139	8.65
<b>Z2-220x285</b>	220	285	50	56	74	M16x50	26	355	744	81.7	181	138	11.2
<b>Z2-240x305</b>	240	305	50	56	74	M16x50	30	355	862	103	193	150	12.2
<b>Z2-260x325</b>	260	325	50	56	74	M16x50	34	355	960	124	199	156	13.2
<b>Z2-280x355</b>	280	355	60	66	86.5	M18x60	32	485	1092	153	174	138	19.2

<b>Z2-300x375</b>	300	375	60	66	86.5	M18x60	36	485	1215	183	180	144	20.5
<b>Z2-320x405</b>	320	405	72	78	100.5	M20x70	36	690	1558	249	178	143	29.6
<b>Z2-340x425</b>	340	425	72	78	100.5	M20x70	36	690	1558	266	172	137	31.1
<b>Z2-360x455</b>	360	455	84	90	116	M22x80	36	930	1940	350	173	137	42.2
<b>Z2-380x475</b>	380	475	84	90	116	M22x80	36	930	1935	366	161	131	44
<b>Z2-400x495</b>	400	495	84	90	116	M22x80	36	930	1930	384	155	125	46
<b>Z2-420x515</b>	420	515	84	90	116	M22x80	40	930	2120	445	161	131	50
<b>Z2-440x545</b>	440	545	96	102	130	M24x90	40	1200	2470	545	150	126	64.6
<b>Z2-450x555</b>	450	555	96	102	130	M24x90	40	1200	2460	555	150	124	65
<b>Z2-460x565</b>	460	565	96	102	130	M24x90	40	1200	2450	565	150	120	67.4
<b>Z2-480x585</b>	480	585	96	102	130	M24x90	42	1200	2550	619	150	120	71
<b>Z2-500x605</b>	500	605	96	102	130	M24x90	44	1200	2650	668	150	120	73
<b>Z2-530x640</b>	530	640	96	102	130	M24x90	45	1200	2790	740	145	118	83.6
<b>Z2-560x670</b>	560	670	96	102	130	M24x90	48	1200	2930	816	142	117	85
<b>Z2-600x710</b>	600	710	96	102	130	M24x90	50	1200	3090	930	142	117	91
<b>Z2-630x740</b>	630	740	96	102	130	M24x90	52	1200	3210	1010	140	115	94
<b>Z2-670x780</b>	670	780	96	102	130	M24x90	60	1200	3385	1130	138	112	101
<b>Z2-710x820</b>	710	820	96	102	130	M24x90	62	1200	3565	1260	135	110	106
<b>Z2-750x860</b>	750	860	96	102	130	M24x90	66	1200	3750	1410	135	110	112
<b>Z2-800x910</b>	800	910	96	102	130	M24x90	70	1200	3910	1560	130	108	118
<b>Z2-850x960</b>	850	960	96	102	130	M24x90	70	1200	4200	1785	133	110	125
<b>Z2-900x1010</b>	900	1000	96	102	130	M24x90	75	1200	4410	1980	130	108	132
<b>Z2-950x1060</b>	950	1060	96	102	130	M24x90	80	1200	4650	2205	130	108	139
<b>Z2-1000x1110</b>	1000	1110	96	102	130	M24x90	82	1200	4800	2400	125	107	146