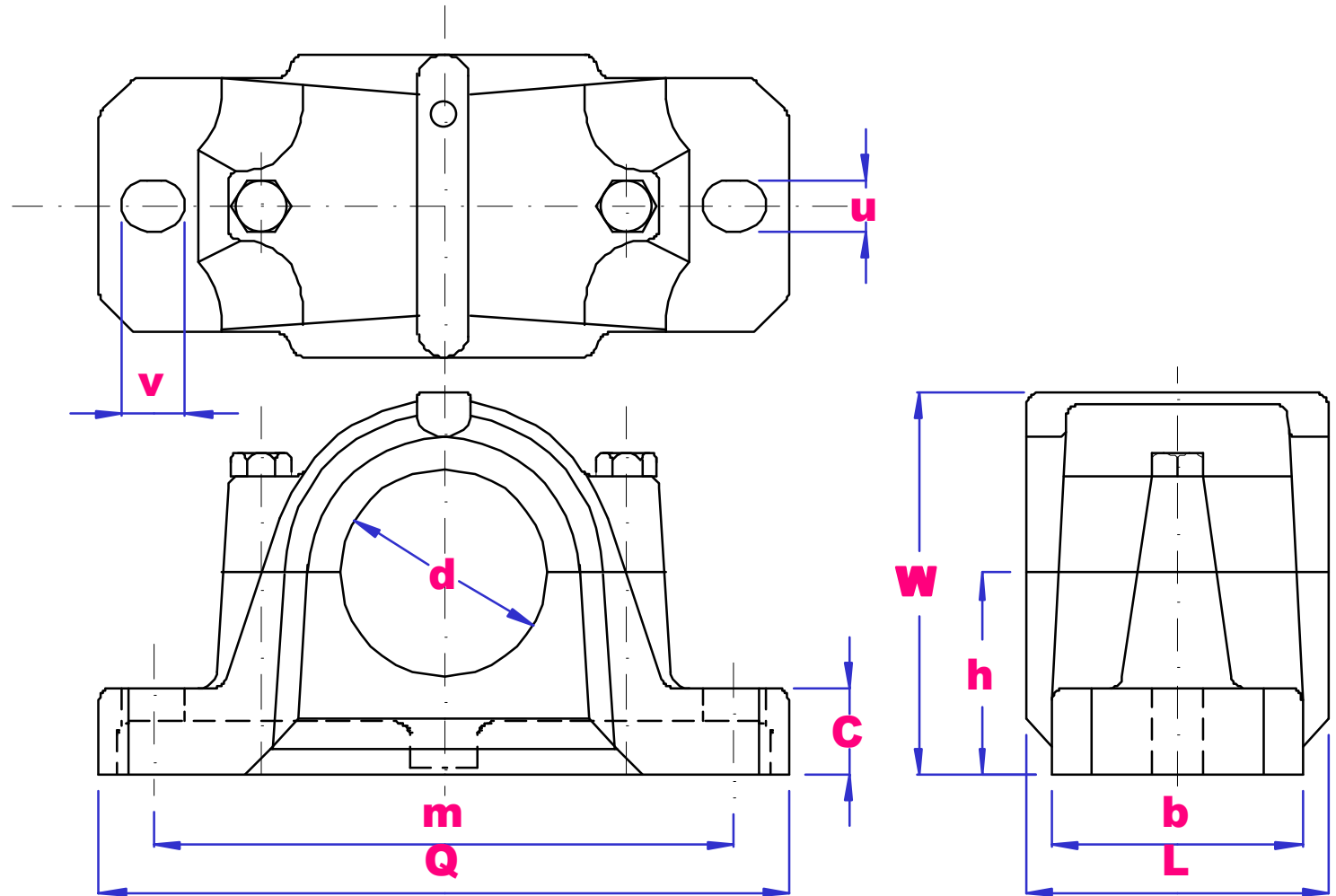


# UBC



**SNU600  
CAST IRON  
HOUSING**



Housing No.	d	h	Q	b	C	v	u	W	L	bolt	Wgt kg	Bearing	Sleeve	Fixing Ring	
														Size	qty
<b>SNU605</b>	20	50	185	52	13	22	22	87	77	M10	2.2	1305K 2305K	H305 H2305	FR62X8.5 FR62X10	2 1
<b>SNU606</b>	25	50	185	52	13	20	22	92	82	M10	2.4	1306K 2306K	H306 H2306	FR72X9 FR72X10	2 1
<b>SNU607</b>	30	60	205	60	15	20	25	106	85	M12	3.2	1307K 2307K	H307 H2307	FR80X10 FR80X10	2 1
<b>SNU608</b>	35	60	205	60	15	20	25	112	90	M12	3.85	1308K 2308K 22308K	H308 H2308 H2308	FR90X10 FR90X10 FR90X10	2 1 1
<b>SNU609</b>	40	70	255	70	18	23	28	127	95	M16	5.2	1309K 22309K	H309 H2309	FR100X10.5 FR100X10	2 1
<b>SNU610</b>	45	70	255	70	18	23	30	133	105	M16	6.7	1310K 22310K	H310 H2310	FR110X11.5 FR110X10	2 1
<b>SNU611</b>	50	80	275	80	18	24	30	148	110	M16	7.9	1311K 22311K	H311 H2311	FR120X12 FR120X10	2 1
<b>SNU612</b>	55	80	280	80	18	26	30	154	115	M16	7.7	22312K	H2312	FR130X10	1
<b>SNU613</b>	60	95	315	90	22	29	32	175	120	M20	11.0	22313K	H2313	FR140X10	1
<b>SNU615</b>	65	100	345	100	22	27	35	192	140	M20	14.8	22315K	H2315	FR160X10	1
<b>SNU616</b>	70	112	345	100	22	27	35	209	145	M20	15.5	22316K	H2316	FR170X10	1
<b>SNU617</b>	75	112	380	110	26	32	40	215	160	M24	18.4	22317K	H2317	FR180X10	1
<b>SNU619</b>	85	125	410	120	26	32	45	239	175	M24	24.8	22319K	H2319	FR200X10	1
<b>SNU620</b>	90	140	410	120	26	32	45	271	185	M24	32.2	22320K	H2320	FR215X10	1