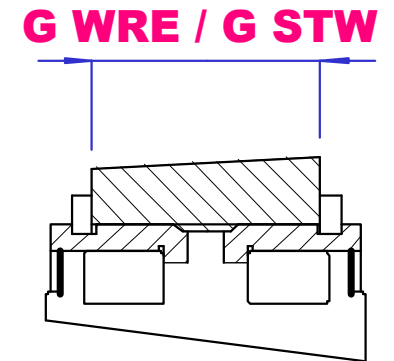
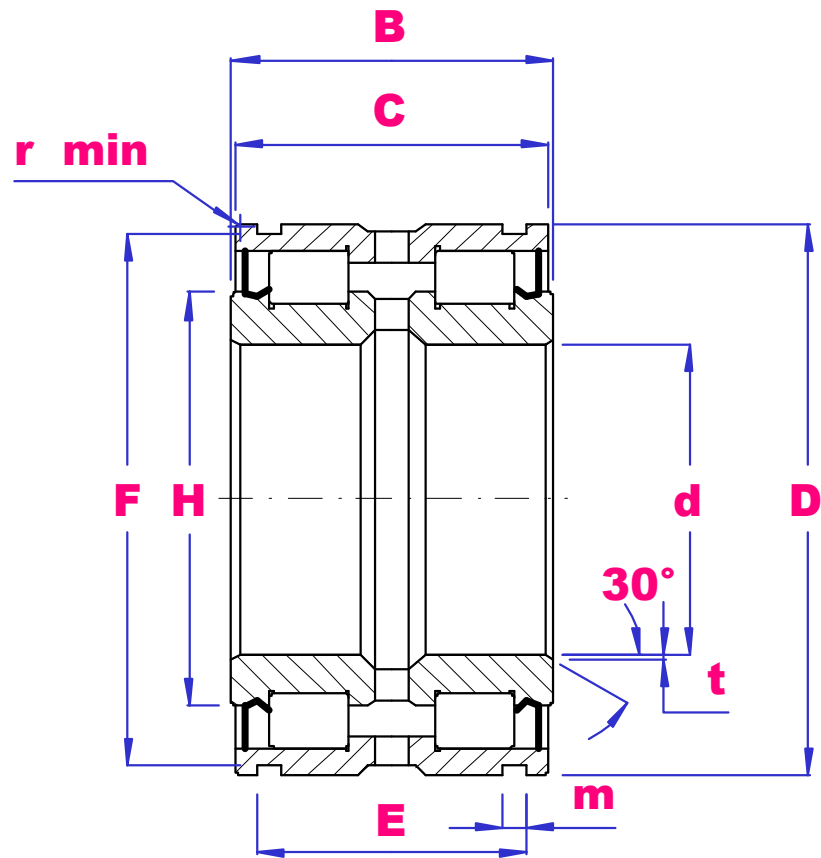


UBC



SL04-5000PP SHEAVE ROLLER BEARINGS



PART NO	d	D	B	C	E	F	m	r min	t	G WRE	G STW	H	LOAD		Rpm max	WRE ring	STW ring	Wgt kg
													DkN	SkN				
SL04-5004PP	20	42	30	29	24.7	39.8	1.8	0.3	0.5	21.5	21	31	41.5	50	8500	42	042	0.2
SL04-5005PP	25	47	30	29	24.7	44.8	1.8	0.3	0.5	21.5	21	35.5	45.5	59	7500	47	047	0.24
SL04-5006PP	30	55	34	33	28.2	52.8	2.1	0.3	0.5	25	24	41	52	69	6500	55	055	0.37
SL04-5007PP	35	62	36	35	30.2	59.8	2.1	0.3	0.5	27	26	46.5	65	90	5500	62	062	0.48

SL04-5008PP	40	68	38	37	32.2	65.8	2.7	0.6	0.8	28	27	51.5	82	113	5000	68	068	0.56
SL04-5009PP	45	75	40	39	34.2	72.8	2.7	0.6	0.8	30	29	57.5	98	141	4500	75	075	0.71
SL04-5010PP	50	80	40	39	34.2	77.8	2.7	0.6	0.8	30	29	62	103	154	4200	80	080	0.76
SL04-5011PP	55	90	46	45	40.2	87.4	3.2	0.6	1.0	35	34	69	118	180	3800	90	090	1.18
SL04-5012PP	60	95	46	45	40.2	92.4	3.2	0.6	1.0	35	34	74	123	195	3500	95	095	1.26
SL04-5013PP	65	100	46	45	40.2	97.4	3.2	0.6	1.0	35	34	79	128	209	3300	100	100	1.33
SL04-5014PP	70	110	54	53	48.2	107.1	4.2	0.6	1.0	43	40	85	172	270	3000	110	110	1.87
SL04-5015PP	75	115	54	53	48.2	112.1	4.2	0.6	1.0	43	40	90	198	305	2800	115	115	1.96
SL04-5016PP	80	125	60	59	54.2	122.1	4.2	0.6	1.5	49	46	97.5	206	335	2600	125	125	2.71
SL04-5017PP	85	130	60	59	54.2	127.1	4.2	0.6	1.5	49	46	104.5	215	360	2500	130	130	2.83
SL04-5018PP	90	140	67	66	59.2	137	4.2	0.6	1.5	54	51	109.5	310	520	2300	140	140	3.71
SL04-5019PP	95	145	67	66	59.2	142	4.2	0.6	1.5	54	51	113.5	315	540	2200	145	145	3.88
SL04-5020PP	100	150	67	66	59.2	147	4.2	0.6	1.5	54	51	118	330	550	2100	150	150	3.95
SL04-5022PP	110	170	80	79	70.2	167	4.2	0.6	1.8	65	62	132	395	680	1900	170	170	6.57
SL04-5024PP	120	180	80	79	71.2	176	4.2	0.6	1.8	65	63	141.5	410	740	1800	180	180	7.04
SL04-5026PP	130	200	95	94	83.2	196	4.2	0.6	1.8	77	75	157	550	980	1600	200	200	10.5
SL04-5028PP	140	210	95	94	83.2	206	5.2	0.6	1.8	77	73	165.5	630	1120	1500	210	210	11.1
SL04-5030PP	150	225	100	99	87.2	221	5.2	0.6	2.0	81	77	176	710	1270	1400	225	225	13.3
SL04-5032PP	160	240	109	108	95.2	236	5.2	0.6	2.0	89	85	189.5	740	1370	1300	240	240	16.6
SL04-5034PP	170	260	122	121	107.2	254	5.2	0.6	2.0	100	97	201	960	1760	1300	260	260	22.6
SL04-5036PP	180	280	136	135	118.2	274	5.2	0.6	2.0	112	108	218	1140	2140	1200	280	280	30.1
SL04-5038PP	190	290	136	135	118.2	284	5.2	0.6	2.0	112	108	226.5	1170	2230	1100	290	290	31.5
SL04-5040PP	200	310	150	149	128.2	304	6.3	0.6	2.0	126	116	243.5	1370	2650	1000	310	310	40.8