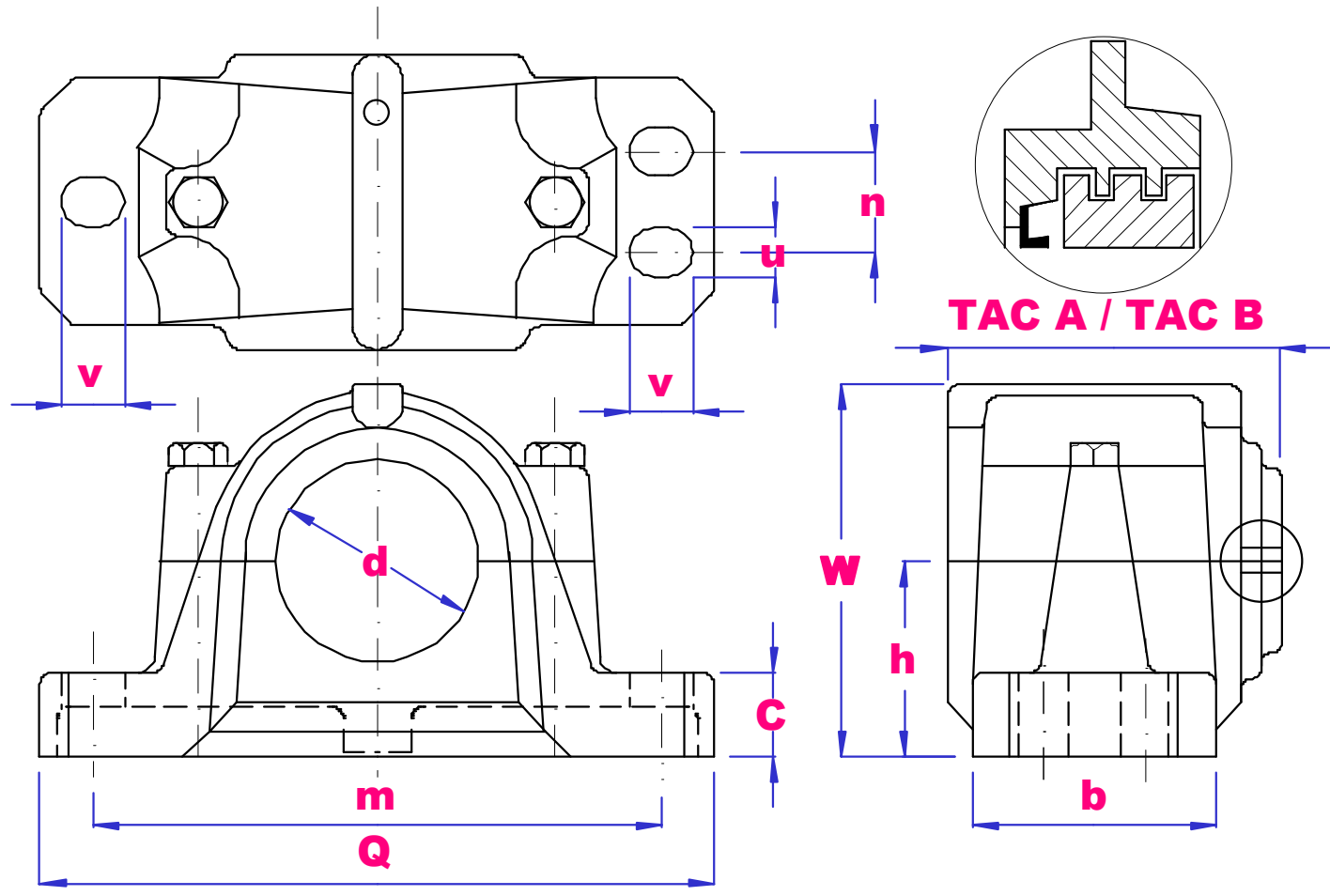


UBC



TSSN500 SG TAC
FSSN500 SG TAC
SG IRON
HOUSINGS



Housing No	d mm	d inch	Q	b	C	TAC		W	BOLT		m	n	u	v	Wgt kg	Bearing	Sleeve	Fixing ring	qty
						A	B		T	F									
SSN509	40	1.1/2	205	60	25	122	148	112	M12	M10	170	30	15	20	4.4	22209K	H309	FR85x8	1
SSN510	45	1.3/4	205	60	25	127	154	115	M12	M10	170	30	15	20	5.0	22210K	H310	FR90X10	1
SSN511	50	2	255	70	28	134	160	130	M16	M12	210	35	18	23	7.15	22211K	H311	FR100X8	1
SSN512	55	2.1/8	255	70	30	148	172	135	M16	M12	210	35	18	23	7.95	22212K	H312	FR110X10	1
SSN513	60	2.1/4	275	80	30	148	172	150	M16	M12	230	40	18	23	9.9	22213K	H313	FR120X12	1
SSN515	65	2.1/2	280	80	30	154	172	155	M16	M12	230	40	18	23	9.3	22215K	H315	FR130X10	1
SSN516	70	2.3/4	315	95	32	154	172	175	M20	M16	260	50	22	27	14.5	22216K	H316	FR140X10	1
SSN517	75	3	320	95	32	159	178	185	M20	M16	260	50	22	27	15.5	22217K	H317	FR150X10	1
SSN518	80	3.1/4	345	100	35	177	193	195	M20	M16	290	50	22	27	20.2	22218K 23218K	H318 H2318	FR160X11.2 FR160X10	2 1
SSN519	85	-	345	112	35	195	211	210	M20	M16	290	50	22	27	25.5	22219K	H319	FR170X10	1
SSN520	90	3.1/2	380	112	40	195	211	218	M24	M16	320	60	26	32	27.5	22220K 23220K	H320 H2320	FR180X12.1 FR180X10	2 1
SSN522	100	4	410	125	45	205	226	240	M24	M16	350	70	26	32	35	22222K 23222K	H322 H2322	FR200X13.5 FR200X10	2 1
SSN524	110	4.1/4	410	140	45	210	230	270	M24	M16	350	70	26	32	43.8	22224K 23224K	H3124 H2324	FR215X14 FR215X10	2 1
SSN526	115	4.1/2	445	150	50	220	240	290	M24	M16	380	70	28	36	50.4	22226K 23226K	H3126 H2326	FR230X13 FR230X10	2 1
SSN528	125	5	500	150	50	236	256	305	M30	M24	420	80	33	42	62	22228K 23228K	H3128 H2328	FR250X15 FR250X10	2 1
SSN530	135	5.1/4	530	160	60	251	276	325	M30	M24	450	90	33	42	75	22230K 23230K	H3130 H2330	FR270X16.5 FR270X10	2 1
SSN532	140	5.1/2	550	170	60	267	290	345	M30	M24	470	90	33	42	87	22232K 23232K	H3132 H2332	FR290X17 FR290X10	2 1