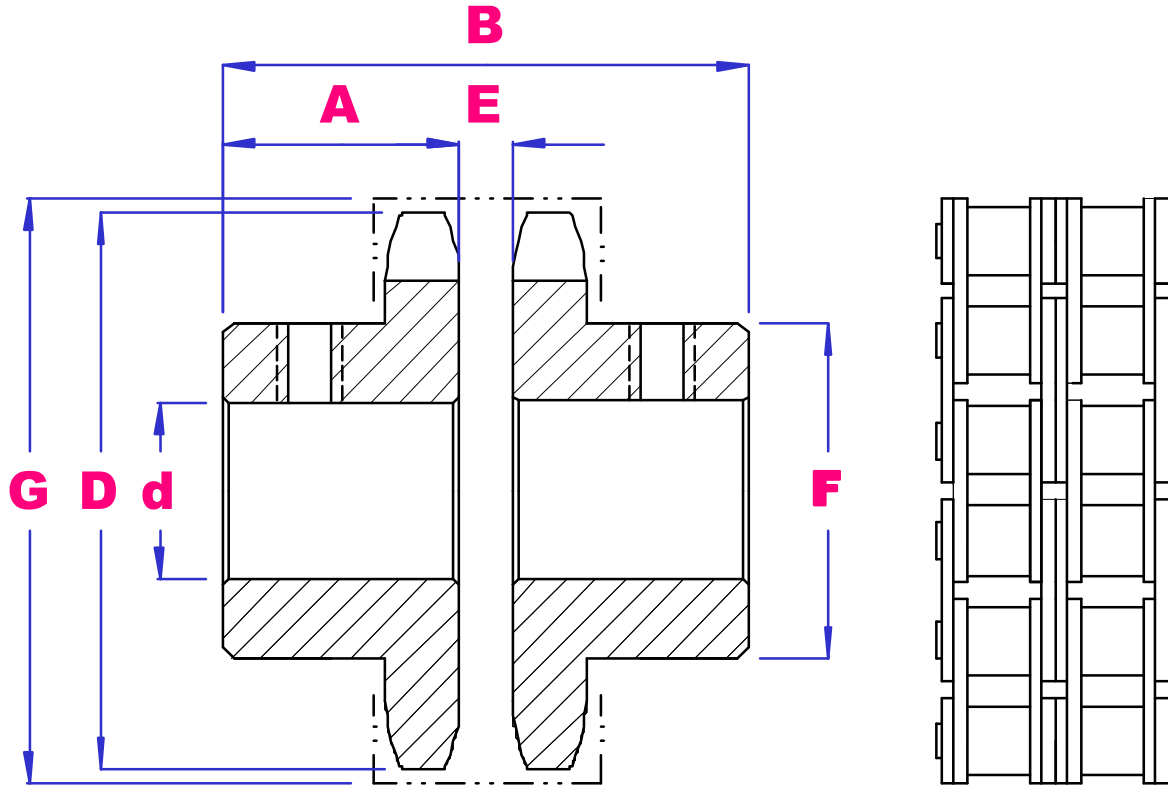




# UBC

## CHAIN COUPLING



PART NO	d mm	D mm	A mm	B mm	E mm	F mm	G mm	KEY mm	Wgt sprocket	Wgt chain
08B-18-20	20	78	28	63	7	56	84.8	6x6	526	311
08B-18-25	25	78	28	63	7	56	84.8	8x7	491	311

SPROCKET MATERIAL: MILD STEEL ZINC PLATED