

# Z6 SERIES

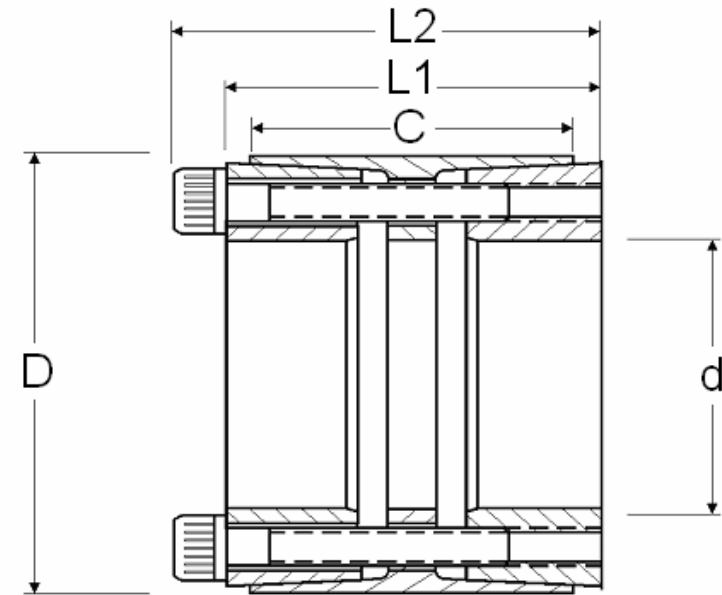
## LOCKING ASSEMBLIES

**Ma** = screw tightening torque

**Ft** = axial holding force when  $Mt=0$

**Mt** = transmissible torque when  $Ft=0$

**Pf** = specific pressure on mating shaft and hub



DIMENSIONS						SCREW			CAPACITIES				
Z – Lock number	d	D	C	L1	L2	Size	Qty	Ma Nm	Ft kN	Mt kNm	Pf-N/mm <sup>2</sup> shaft hub		Wgt kg
Z6-25X55	25	55	32	40	46	M6X35	6	17	67	0.84	297	101	0.47
Z6-28X55	28	55	32	40	46	M6X35	6	17	67	0.94	265	101	0.44
Z6-30X55	30	55	32	40	46	M6X35	6	17	67	1.00	248	101	0.42
Z6-35X60	35	60	44	54	60	M6X45	7	17	74	1.30	165	87	1.00
Z6-40X75	40	75	44	54	62	M8X50	7	41	145	2.90	282	116	1.10
Z6-45X75	45	75	44	54	62	M8X50	7	41	145	3.26	251	116	1.20
Z6-50X80	50	80	56	64	72	M8X50	8	41	166	4.15	200	98	1.40
Z6-55X85	55	85	56	64	72	M8X50	9	41	186	5.15	205	104	1.60
Z6-60X90	60	90	56	64	72	M8X50	10	41	207	6.20	202	106	1.70
Z6-65X95	65	95	56	64	72	M8X50	10	41	207	6.75	187	100	1.90
Z6-70X110	70	110	70	78	88	M10X60	10	83	329	11.5	223	114	3.10
Z6-80X120	80	120	70	78	88	M10X60	11	83	362	14.5	215	115	3.50
Z6-90X130	90	130	70	78	88	M10X60	12	83	390	17.8	208	115	3.80
Z6-95X135	95	135	70	78	88	M10X60	12	83	435	19.7	197	107	4.20
Z6-100X145	100	145	90	100	112	M12X80	14	145	527	26.3	200	107	6.10

<b>Z6-110X155</b>	110	155	90	100	112	M12X80	14	145	575	31.8	198	110	6.60
<b>Z6-120X165</b>	120	165	90	100	112	M12X80	18	145	670	40.4	212	120	7.20
<b>Z6-130X180</b>	130	180	104	116	130	M14X90	16	230	789	51.6	192	112	10.0
<b>Z6-140X190</b>	140	190	104	116	130	M14X90	18	230	920	64.7	208	124	10.6
<b>Z6-150X200</b>	150	200	104	116	130	M14X90	19	230	966	74.2	208	127	11.3
<b>Z6-160X210</b>	160	210	104	116	130	M14X90	20	230	1050	84.5	208	128	11.9
<b>Z6-170X225</b>	170	225	134	146	162	M16X110	19	355	1280	106.2	182	113	18.0
<b>Z6-180X235</b>	180	235	134	146	162	M16X110	20	355	1370	123.2	184	115	18.8
<b>Z6-190X250</b>	190	250	134	146	162	M16X110	21	355	1460	133.8	186	116	21.9
<b>Z6-200X260</b>	200	260	134	146	162	M16X110	22	355	1460	146.0	177	112	23.0
<b>Z6-220X285</b>	220	285	134	146	162	M16X110	24	355	1640	181.0	188	115	27.0
<b>Z6-240X305</b>	240	305	134	146	162	M16X110	26	355	1820	218.0	184	119	29.2
<b>Z6-260X325</b>	260	325	134	146	162	M16X110	28	355	1920	280.0	178	117	31.5
<b>Z6-280X355</b>	280	355	165	177	197	M20X130	24	690	2550	360.0	185	117	48.0
<b>Z6-300X375</b>	300	375	165	177	197	M20X130	25	690	2850	428.0	192	123	51.0
<b>Z6-320X405</b>	320	405	165	177	197	M20X130	28	690	3000	480.0	188	119	62.0
<b>Z6-340X425</b>	340	425	165	177	197	M20X130	29	690	3140	534.0	186	119	66.0
<b>Z6-360X455</b>	360	455	190	202	224	M22X150	28	930	3730	670.0	176	115	91.0
<b>Z6-380X475</b>	380	475	190	202	224	M22X150	30	930	3900	742.0	175	115	95.0
<b>Z6-400X495</b>	400	495	190	202	224	M22X150	31	930	4260	852.0	181	120	100
<b>Z6-420X515</b>	420	515	190	202	224	M22X150	32	930	4260	894.0	173	116	104
<b>Z6-440X535</b>	440	535	190	202	224	M22X150	24	930	4260	937.0	165	112	109
<b>Z6-460X555</b>	460	555	190	202	224	M22X150	24	930	4260	980.0	158	107	113
<b>Z6-480X575</b>	480	575	190	202	224	M22X150	28	930	5040	1200	176	121	118
<b>Z6-500X595</b>	500	595	190	202	224	M22X150	28	930	5040	1240	169	117	122
<b>Z6-520X615</b>	520	615	190	202	224	M22X150	30	930	5400	1390	174	121	126
<b>Z6-540X635</b>	540	635	190	202	224	M22X150	30	930	5400	1430	172	126	132
<b>Z6-560X655</b>	560	655	190	202	224	M22X150	32	930	5760	1610	179	122	139
<b>Z6-580X675</b>	580	675	190	202	224	M22X150	33	930	5760	1670	173	131	147
<b>Z6-600X695</b>	600	695	190	202	224	M22X150	33	930	5940	1780	173	127	158