

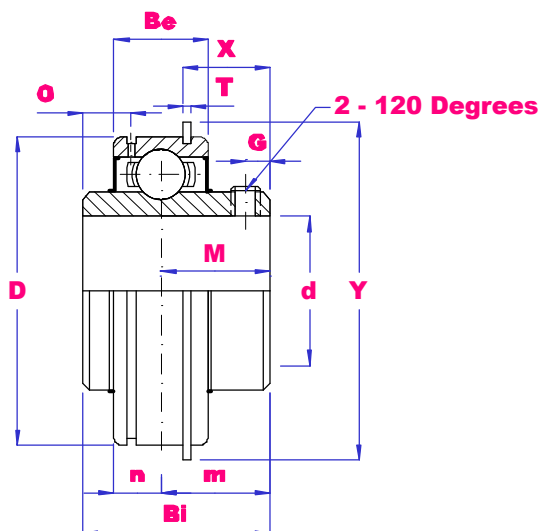


UBC

UR200NDG SERIES BEARING INSERT



Quality
Endorsed
Company
ISO 9001:2000
LIC QEC20818



PART NO	d mm	D mm	Bi mm	Be mm	M mm	O mm	T mm	Y mm	X mm	Load D-kN	Load S-kN	Max rpm	Wgt kg
UR204-12MMNDG	12	47	31	15.9	20.7	3.8	3.45	52.7	16.2	12.81	6.65	6800	0.27
UR204-15MMNDG	15	47	31	15.9	20.7	3.8	3.45	52.7	16.2	12.81	6.65	6800	0.25
UR204-17MMNDG	17	47	31	15.9	20.7	3.8	3.45	52.7	16.2	12.81	6.65	6800	0.23
UR204NDG	20	47	31	15.9	20.7	3.8	3.45	52.7	16.2	12.81	6.65	6800	0.22
UR205NDG	25	52	34.9	19	21.8	5.2	3.45	57.9	15.8	14.11	9.93	5700	0.28
UR206NDG	30	62	38.1	22.2	22.2	5.6	4.83	67.7	15.9	19.49	11.31	4900	0.38
UR207NDG	35	72	42.9	23.8	25.4	5.6	4.83	78.6	18.3	25.68	15.3	4100	0.56
UR208NDG	40	80	49.2	27.8	30.2	6.4	4.83	86.6	21.1	29.12	19.84	3600	0.87
UR209NDG	45	85	49.2	27.8	30.2	6.4	4.83	91.6	21.1	32.52	20.46	3400	0.95
UR210NDG	50	90	51.6	28.6	32.6	7.5	5.59	96.5	23.8	35.05	23.18	3100	1.03
UR211NDG	55	100	55.6	30.2	33.4	7.5	5.59	106.5	23.8	43.48	29.22	2800	1.21
UR212NDG	60	110	65.1	31.8	33.4	7.5	5.59	116.6	29.4	52.52	32.93	2500	1.68

INCH BORES

UR203-10NDG	5/8	40	27.4	14.0	15.9	11.5	3.0	45.2	14.0	7.36	4.29	8000	0.13
UR204-8NDG	1/2	47	31	15.9	20.7	3.8	3.45	52.7	16.2	12.81	6.65	6800	0.26
UR204-10NDG	5/8	47	31	15.9	20.7	3.8	3.45	52.7	16.2	12.81	6.65	6800	0.24
UR204-12NDG	3/4	47	31	15.9	20.7	3.8	3.45	52.7	16.2	12.81	6.65	6800	0.23
UR205-14NDG	7/8	52	34.9	19	21.8	5.2	3.45	57.9	15.8	14.11	9.93	5700	0.30
UR205-16NDG	1												0.27
UR206-18NDG	1.1/8	62	38.1	22.2	22.2	5.6	4.83	67.7	15.9	19.49	11.31	4900	0.40
UR206-19NDG	1.3/16												0.38
UR206-20NDG													
UR207-20NDG	1.1/4	72	42.9	23.8	25.4	5.6	4.83	78.6	18.3	25.68	15.3	4100	0.58
UR207-22NDG	1.3/8												0.56
UR208-24NDG	1.1/2	80	49.2	27.8	30.2	6.4	4.83	86.6	21.1	29.12	19.84	3600	0.89
UR209-26NDG	1.5/8	85	49.2	27.8	30.2	6.4	4.83	91.6	21.1	32.52	20.46	3400	0.98
UR209-28NDG	1.3/4												0.95
UR210-30NDG	1.7/8	90	51.6	28.6	32.6	7.5	5.59	96.5	23.8	35.05	23.18	3100	1.05
UR211-32NDG	2	100	55.6	30.2	33.4	7.5	5.59	106.5	23.8	43.48	29.22	2800	1.25
UR211-35NDG	2.3/16												1.21
UR212-36NDG	2.1/4	110	65.1	31.8	33.4	7.5	5.59	116.6	29.4	52.52	32.93	2500	1.71
UR212-39NDG	2.7/16												1.67