

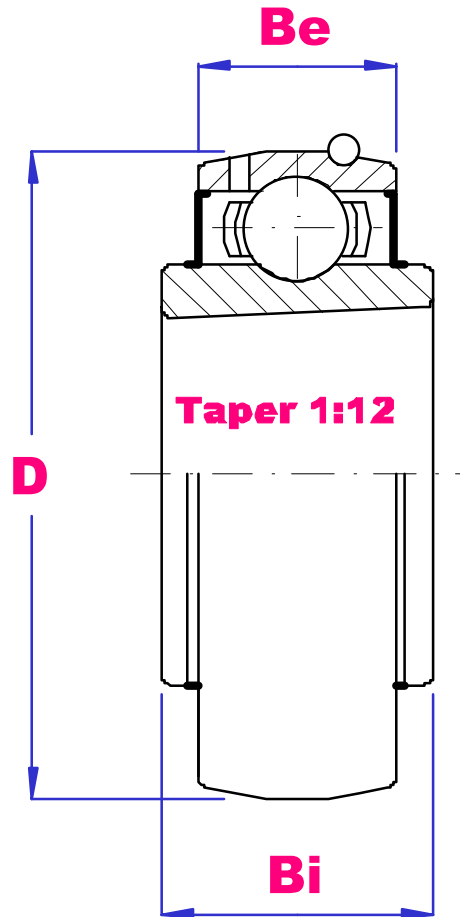


UBC

UK200 SERIES BEARING INSERT



Quality
Endorsed
Company
ISO 9001:2000
LIC QEC20818



PART NO	D mm	Be mm	Bi mm	Load S-kN	Load D-kN	Max rpm	Wgt kg
UK205	52	17	23	14.11	9.93	5700	0.18
UK206	62	19	26	19.49	11.31	4900	0.30
UK207	72	20	28	25.68	15.31	4100	0.43
UK208	80	21	29	29.12	19.84	3600	0.59
UK209	85	22	30	32.52	20.46	3400	0.62
UK210	90	22	32	35.05	23.18	3100	0.72
UK211	100	25	36	43.48	29.22	2800	0.98
UK212	110	27	38	52.52	32.93	2500	1.39
UK213	120	29	40	57.48	40.15	2400	1.72
UK215	130	30	43	66.12	49.31	2100	2.02
UK216	140	33	46	72.55	53.31	1950	2.55
UK217	150	35	48	83.24	63.89	1800	3.19
UK218	160	37	50	96.52	71.76	1700	4.11

SUITABLE ADAPTOR SLEEVES - H2300, HE2300, HX2300, HS2300, HA2300