

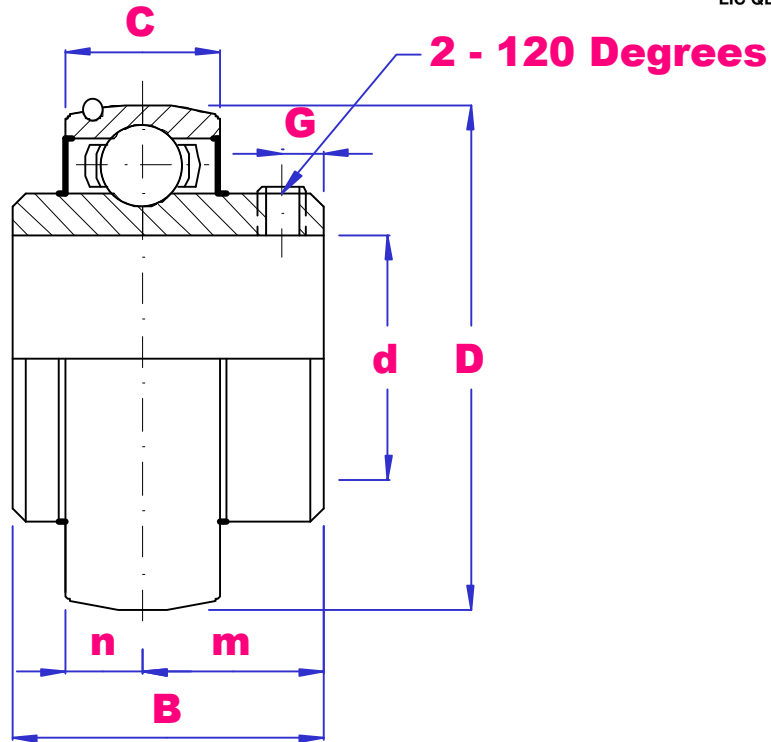


UBC

UCX00 SERIES METRIC BORE BEARING INSERT



Quality
Endorsed
Company
ISO 9001:2000
LIC QEC20818



PART NO	d mm	D mm	B mm	C mm	n mm	m mm	G mm	Load D-kN	Load S-kN	Max Rpm	Wgt kg
UCX05	25	62	38.1	19	15.9	22.2	5	19.5	11.31	4900	0.37
UCX06	30	72	42.9	20	17.5	25.4	6	25.7	15.30	4100	0.46
UCX07	35	80	49.2	21	19	30.2	8	29.1	19.84	3600	0.74
UCX08	40	85	49.2	22	19	30.2	8	32.5	20.46	3400	0.80
UCX09	45	90	51.6	23	19	32.6	9	35.1	23.18	3100	0.92
UCX10	50	100	55.6	24	22.2	33.4	9	43.5	29.22	2800	1.21
UCX11	55	110	65.1	26	25.4	39.7	10	52.5	32.93	2500	1.72
UCX12	60	120	65.1	27	25.4	39.7	10	57.5	40.00	2400	1.97
UCX13	65	125	74.6	29	30.2	44.4	12	61.9	45.03	2200	2.33
UCX14	70	130	77.8	30	33.3	44.5	12	66.1	49.30	2100	2.57
UCX15	75	140	82.6	32	33.3	49.3	12	72.5	53.31	1950	3.22
UCX16	80	150	85.7	34	34.1	51.6	12	83.5	63.89	1800	3.81
UCX17	85	160	96	36	39.7	56.3	12	95.9	71.76	1700	4.83
UCX18	90	170	104	38	42.9	61.1	14	109	81.93	1600	5.49
UCX20	100	190	117	42	49.2	68.3	16	133	105.2	1500	9.04