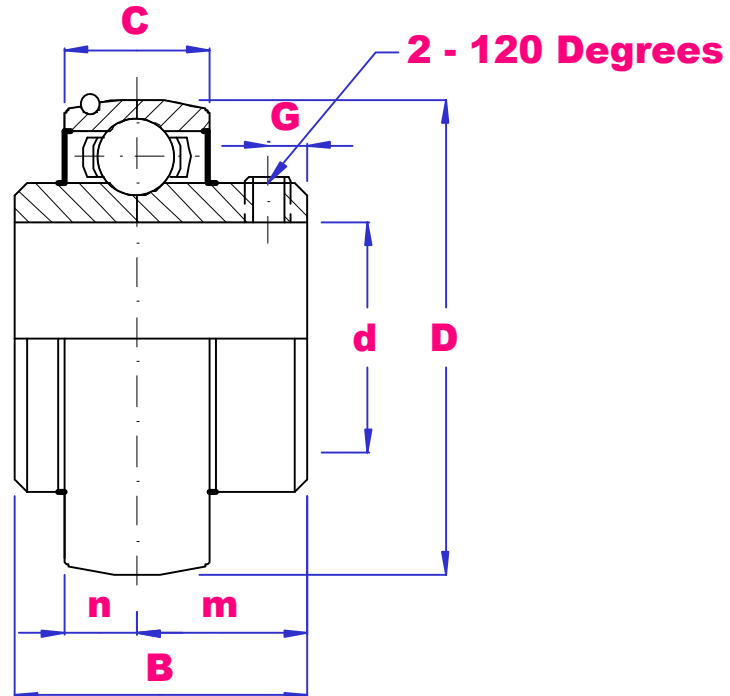




UBC

UC200 SERIES METRIC BORE BEARING INSERT



PART NO	d mm	D mm	B mm	C mm	n mm	m mm	G mm	Load D-kN	Load S-kN	Max rpm	Wgt kg
UC203-12MM	12	40	27.4	14	11.5	15.9	4.5	7.36	4.79	8000	0.12
UC203-15MM	15	40	27.4	14	11.5	15.9	4.5	7.36	4.79	8000	0.11
UC203	17	40	27.4	14	11.5	15.9	4.5	7.36	4.79	8000	0.10
UC204-12MM	12	47	31	17	12.7	18.3	5	12.81	6.65	6800	0.21
UC204-15MM	15	47	31	17	12.7	18.3	5	12.81	6.65	6800	0.19
UC204-17MM	17	47	31	17	12.7	18.3	5	12.81	6.65	6800	0.19
UC204	20	47	31	17	12.7	18.3	5	12.81	6.65	6800	0.17
UC205	25	52	34.1	17	14.3	19.8	5	14.11	9.93	5700	0.19
UC206	30	62	38.1	19	15.9	22.2	5	19.49	11.31	4900	0.31
UC207	35	72	42.9	20	17.5	25.4	7	25.68	15.3	4100	0.46
UC208	40	80	49.2	21	19	30.2	8	29.12	19.84	3600	0.63
UC209	45	85	49.2	22	19	30.2	10	32.52	20.46	3400	0.68
UC210	50	90	51.6	24	19	32.6	10	35.05	23.18	3100	0.78
UC211	55	100	55.6	25	22.2	33.4	10	43.48	29.22	2800	1.07
UC212	60	110	65.1	27	25.4	39.7	10	52.52	32.93	2500	1.51
UC213	65	120	65.1	29	25.4	39.7	10	57.48	40.15	2400	1.86
UC214	70	125	74.6	30	30.2	44.4	12	62.11	45.03	2200	2.05
UC215	75	130	77.8	30	33.3	44.5	12	66.12	49.3	2100	2.21
UC216	80	140	82.6	33	33.3	49.3	12	72.55	53.31	1950	2.79
UC217	85	150	85.7	35	34.1	51.6	12	83.24	63.89	1800	3.38
UC218	90	160	96	37	39.7	56.3	12	96.52	71.76	1700	4.46

BEARINGS UC204 – UC215 AVAILABLE IN 440C STAINLESS STEEL