

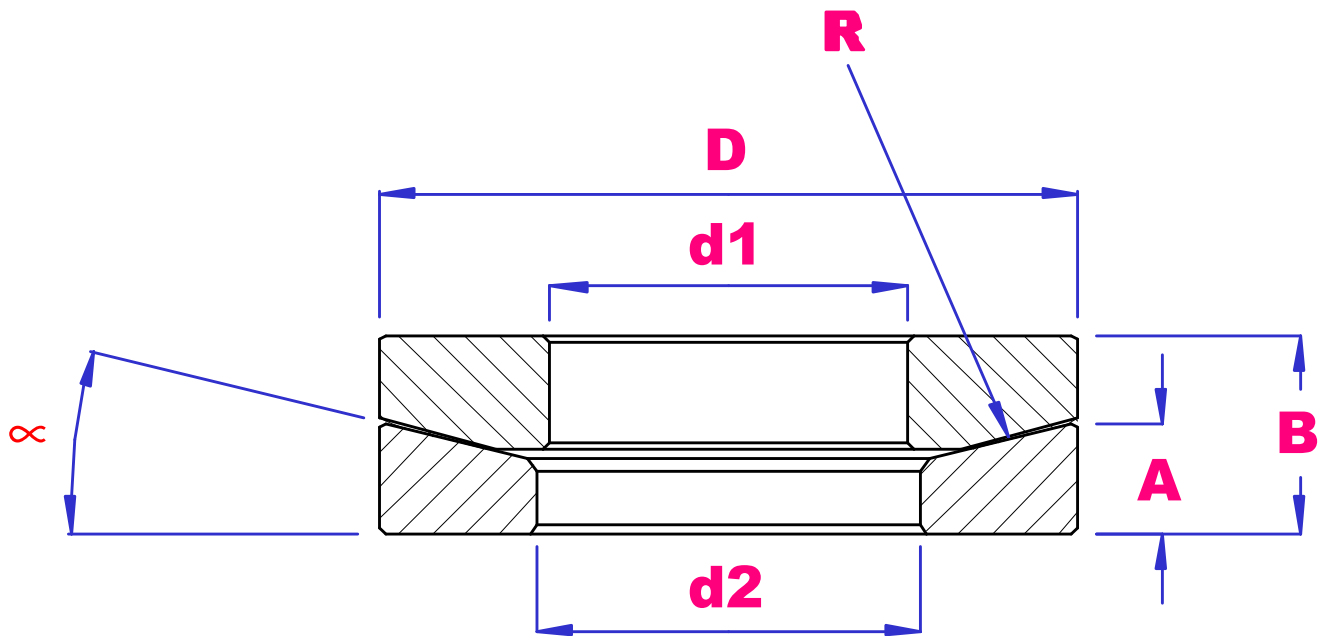


UBC

SELF ALIGNING WASHERS



Quality
Endorsed
Company
ISO 9001:2000
LIC QEC20818



PART NO	Suit Bolt	d1	d2	D	A	B	C	R radius	α deg	Wgt g
SAW-6	3/8"- 10mm	12	15	22	5.0	6.0	4.0	18	30	11
SAW-8	1/2"- 12mm	14	16.5	26	6.0	8.0	5.0	20	30	22
SAW-10	5/8"- 16mm	17	19	30	6.3	9.5	5.0	23	30	31
SAW-12	3/4"- 20mm	21	23.3	36	7.4	11.5	6.0	27	30	54
SAW-14	7/8"- 22mm	23.0	24.6	45	8.0	14.3	8.3	63.5	14	126
SAW-16	1" - 24mm	26.2	27.8	50.8	8.0	14.3	8.3	80	14	158