

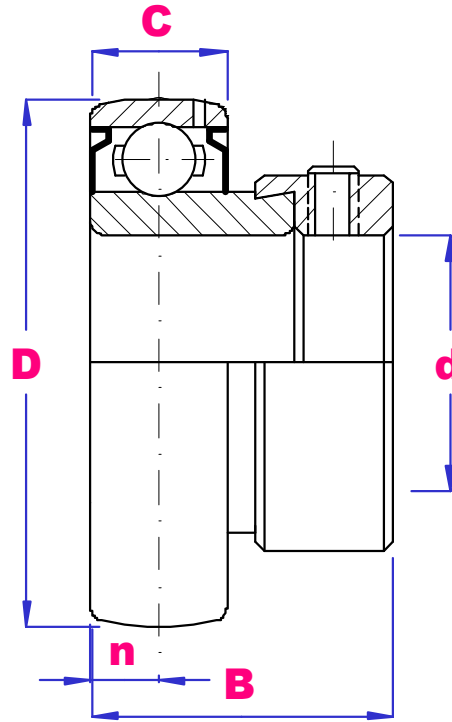


UBC

SA200 SERIES METRIC BORE BEARING INSERT



Quality
Endorsed
Company
ISO 9001:2000
LIC QEC20818



PART NO	d	D mm	B mm	C mm	n mm	Load D-Kn	Load S-Kn	Max Rpm	Wgt kg
SA203-12MM	12	40	28.6	12	6.0	7.36	4.79	8000	0.14
SA203-15MM	15	40	28.6	12	6.0	7.36	4.79	8000	0.135
SA203	17	40	28.6	12	6.0	7.36	4.79	8000	0.13
SA204	20	47	29.5	14	7.0	12.81	6.65	6800	0.15
SA205	25	52	30.5	15	7.5	14.11	9.93	5700	0.22
SA206	30	62	33.9	16	8.0	19.49	11.31	4900	0.30
SA207	35	72	37.5	18	9.0	25.68	15.31	4100	0.50
SA208	40	80	43.7	19	9.5	29.12	19.84	3600	0.62
SA209	45	85	43.7	19	9.5	31.5	20.4	3200	0.65
SA210	50	90	43.7	20	10	34.9	23.2	2800	0.75
SA211	55	100	48.4	21	10.5	43.5	29.3	2600	0.94
SA212	60	110	53.1	22	11	52.5	35.8	2500	1.17