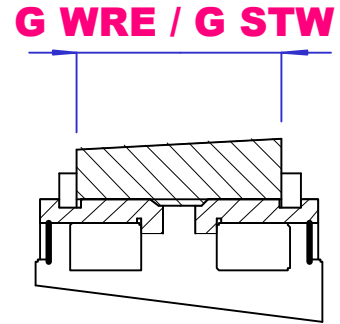
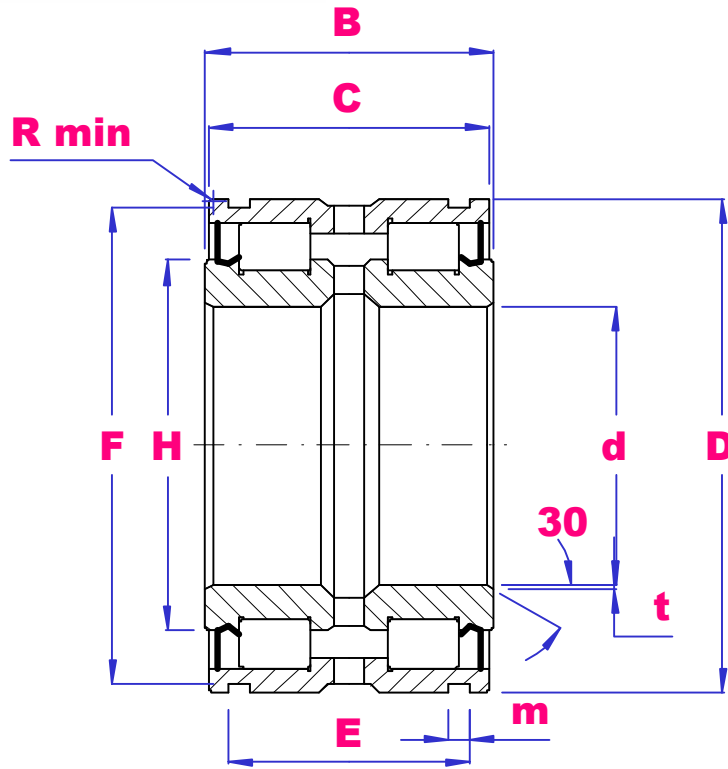




# UBC

## SL04-5000PP

### ROLLER BEARINGS



| PART NO     | d   | D   | B   | C   | E    | F     | m   | r<br>min | t   | G<br>WRE | G<br>STW | H     | D<br>kN | S<br>kN | Rpm<br>max | ring | Wgt<br>kg |
|-------------|-----|-----|-----|-----|------|-------|-----|----------|-----|----------|----------|-------|---------|---------|------------|------|-----------|
| SL04-5004PP | 20  | 42  | 30  | 29  | 24.7 | 39.8  | 1.8 | 0.3      | 0.5 | 21.5     | 21       | 31    | 41.5    | 50      | 8500       | 42   | 0.202     |
| SL04-5005PP | 25  | 47  | 30  | 29  | 24.7 | 44.8  | 1.8 | 0.3      | 0.5 | 21.5     | 21       | 35.5  | 45.5    | 59      | 7500       | 47   | 0.222     |
| SL04-5006PP | 30  | 55  | 34  | 33  | 28.2 | 52.8  | 2.1 | 0.3      | 0.5 | 25       | 24       | 41    | 52      | 69      | 6500       | 55   | 0.34      |
| SL04-5007PP | 35  | 62  | 36  | 35  | 30.2 | 59.8  | 2.1 | 0.3      | 0.5 | 27       | 26       | 46.5  | 65      | 90      | 5500       | 62   | 0.46      |
| SL04-5008PP | 40  | 68  | 38  | 37  | 32.2 | 65.8  | 2.7 | 0.6      | 0.8 | 28       | 27       | 51.5  | 82      | 113     | 5000       | 68   | 0.55      |
| SL04-5009PP | 45  | 75  | 40  | 39  | 34.2 | 72.8  | 2.7 | 0.6      | 0.8 | 30       | 29       | 57.5  | 98      | 141     | 4500       | 75   | 0.71      |
| SL04-5010PP | 50  | 80  | 40  | 39  | 34.2 | 77.8  | 2.7 | 0.6      | 0.8 | 30       | 29       | 62    | 103     | 154     | 4200       | 80   | 0.75      |
| SL04-5011PP | 55  | 90  | 46  | 45  | 40.2 | 87.4  | 3.2 | 0.6      | 1.0 | 35       | 34       | 69    | 118     | 180     | 3800       | 90   | 1.15      |
| SL04-5012PP | 60  | 95  | 46  | 45  | 40.2 | 92.4  | 3.2 | 0.6      | 1.0 | 35       | 34       | 74    | 123     | 195     | 3500       | 95   | 1.20      |
| SL04-5013PP | 65  | 100 | 46  | 45  | 40.2 | 97.4  | 3.2 | 0.6      | 1.0 | 35       | 34       | 79    | 128     | 209     | 3300       | 100  | 1.30      |
| SL04-5014PP | 70  | 110 | 54  | 53  | 48.2 | 107.1 | 4.2 | 0.6      | 1.0 | 43       | 40       | 85    | 172     | 270     | 3000       | 110  | 1.91      |
| SL04-5015PP | 75  | 115 | 54  | 53  | 48.2 | 112.1 | 4.2 | 0.6      | 1.0 | 43       | 40       | 90    | 198     | 305     | 2800       | 115  | 2.00      |
| SL04-5016PP | 80  | 125 | 60  | 59  | 54.2 | 122.1 | 4.2 | 0.6      | 1.5 | 49       | 46       | 97.5  | 206     | 335     | 2600       | 125  | 2.65      |
| SL04-5017PP | 85  | 130 | 60  | 59  | 54.2 | 127.1 | 4.2 | 0.6      | 1.5 | 49       | 46       | 104.5 | 215     | 360     | 2500       | 130  | 2.80      |
| SL04-5018PP | 90  | 140 | 67  | 66  | 59.2 | 137   | 4.2 | 0.6      | 1.5 | 54       | 51       | 109.5 | 310     | 520     | 2300       | 140  | 3.70      |
| SL04-5019PP | 95  | 145 | 67  | 66  | 59.2 | 142   | 4.2 | 0.6      | 1.5 | 54       | 51       | 113.5 | 315     | 540     | 2200       | 145  | 3.90      |
| SL04-5020PP | 100 | 150 | 67  | 66  | 59.2 | 147   | 4.2 | 0.6      | 1.5 | 54       | 51       | 118   | 330     | 550     | 2100       | 150  | 4.05      |
| SL04-5022PP | 110 | 170 | 80  | 79  | 70.2 | 167   | 4.2 | 0.6      | 1.8 | 65       | 62       | 132   | 395     | 680     | 1900       | 170  | 6.50      |
| SL04-5024PP | 120 | 180 | 80  | 79  | 71.2 | 176   | 4.2 | 0.6      | 1.8 | 65       | 63       | 141.5 | 410     | 740     | 1800       | 180  | 6.95      |
| SL04-5026PP | 130 | 200 | 95  | 94  | 83.2 | 196   | 4.2 | 0.6      | 1.8 | 77       | 75       | 157   | 550     | 980     | 1600       | 200  | 10.5      |
| SL04-5028PP | 140 | 210 | 95  | 94  | 83.2 | 206   | 5.2 | 0.6      | 1.8 | 77       | 73       | 165.5 | 630     | 1120    | 1500       | 210  | 11.1      |
| SL04-5030PP | 150 | 225 | 100 | 99  | 87.2 | 221   | 5.2 | 0.6      | 2.0 | 81       | 77       | 176   | 710     | 1270    | 1400       | 225  | 13.5      |
| SL04-5032PP | 160 | 240 | 109 | 108 | 95.2 | 236   | 5.2 | 0.6      | 2.0 | 89       | 85       | 189.5 | 740     | 1370    | 1300       | 240  | 16.5      |