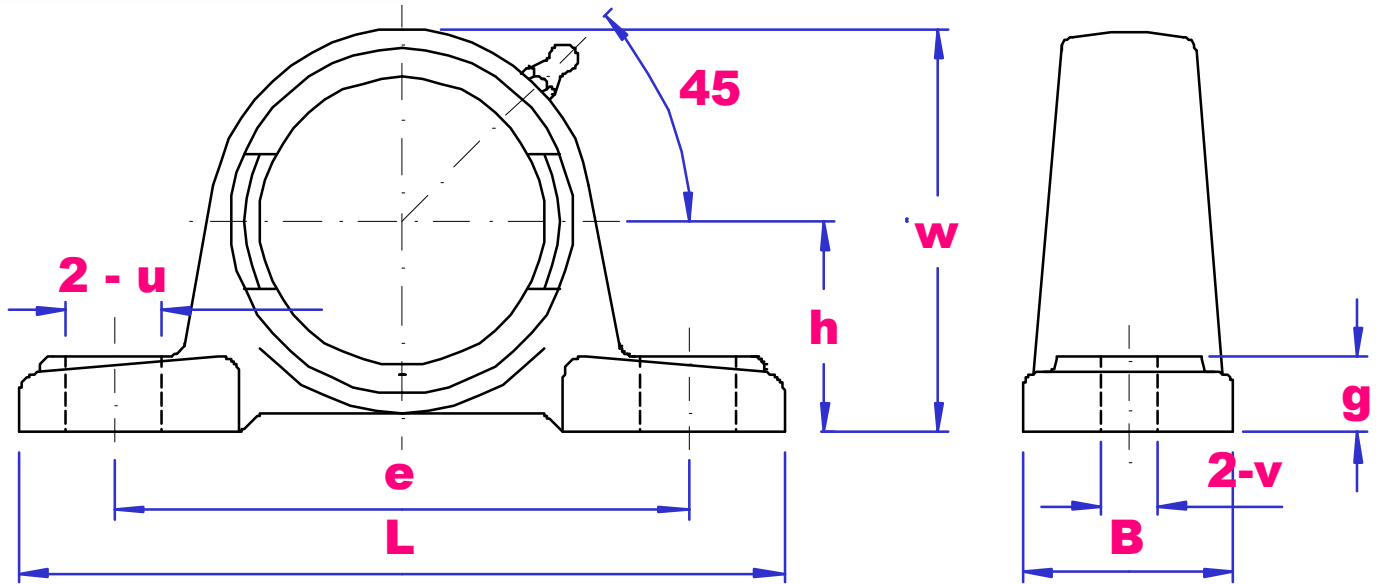




# UBC

## PX00 SERIES HOUSING



PART NO	h mm	L mm	e mm	B mm	v mm	u mm	g mm	w mm	Bolt mm	Wgt kg
PX05	44.4	159	119	51	17	25	18	85	M14	1.13
PX06	47.6	175	127	57	17	25	20	94	M14	1.44
PX07	54	203	144	57	17	30	22	105	M14	1.96
PX08	58.7	222	156	67	20	32	26	113	M16	2.70
PX09	58.7	222	156	67	20	33	26	116	M16	2.58
PX10	63.5	241	171	73	20	36	27	126	M16	2.99
PX11	69.8	260	184	79	25	36	30	139	M20	4.18
PX12	76.2	286	203	83	25	41	32	151	M20	5.23
PX13	76.2	286	203	83	25	41	32	154	M20	5.07
PX14	88.9	330	229	89	27	51	35	172	M22	8.53
PX15	88.9	330	229	89	27	51	35	177	M22	8.18
PX16	101.6	381	283	102	27	59	42	197	M22	13.59
PX17	101.6	381	283	102	27	59	42	202	M22	12.27
PX18	101.6	381	283	111	27	60	45	206	M22	11.51
PX20	127	432	337	121	33	64	52	250	M27	23.96

SUITABLE BEARING SERIES – UCX, UK200+HX2300

AVAILABLE MACHINED FOR OPEN AND CLOSED COVERS, SUFFIX M.