

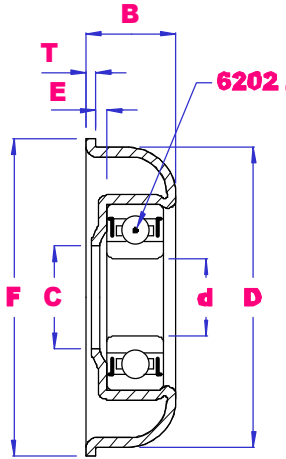


UBC

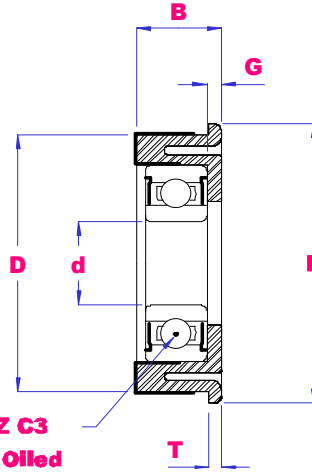
PRECISION CONVEYOR BEARINGS



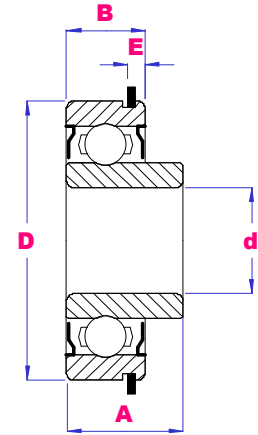
Quality
Endorsed
Company
ISO 9001:2000
LIC QEC20818



TYPE 1

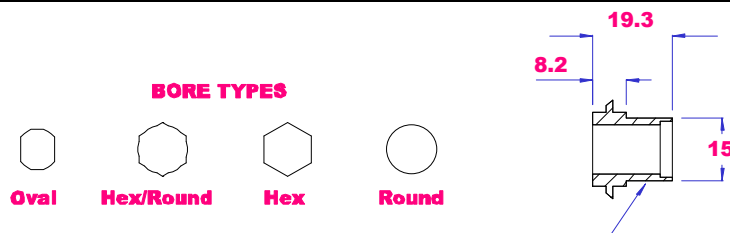


TYPE 2



TYPE 3

PART NO	TYPE	d mm	D mm	A mm	B mm	F mm	G mm	E mm	T mm	WGT g
RLR51-*	2	15*	46.5	-	15.1	50	3.2	-	2.1	52
250-50-*	1	15*	47.5	-	16.3	49.7	-	3.85	1.32	79
250-59-*	1	15*	54.8	-	16.3	58.8	-	2.1	2.1	99
250-60-*	1	15*	56.5	-	16.3	59.8	-	2.1	2.1	101
S55301H	3	5/8 HEX	55	25	13	55	-	-	-	221
S43161PP	3	16.4	42.85	17.95	12.1	47.3	-	2.45	-	93
SH72361PB-**	1	20**	71.45	-	23.3	76.2	-	-	2.3	227
SH83361PB-**	1	20**	82.9	-	23.3	88.2	-	-	2.3	256



*** BORE / BEARING INSERT SIZES AVAILABLE**

OVAL 8MM
 HEX 3/8", 7/16", 9/16".
 ROUND 10,12,13,14,15,16,17mm. 3/8", 1/2", 5/8".

**** BORE / BEARING INSERT SIZES AVAILABLE**

HEX 3/8", 7/16", 9/16", 5/8", 11/16".
 ROUND 10,12,13,14,15,17,20,25,30,35mm. 1/2", 5/8", 3/4", 7/8", 1".