

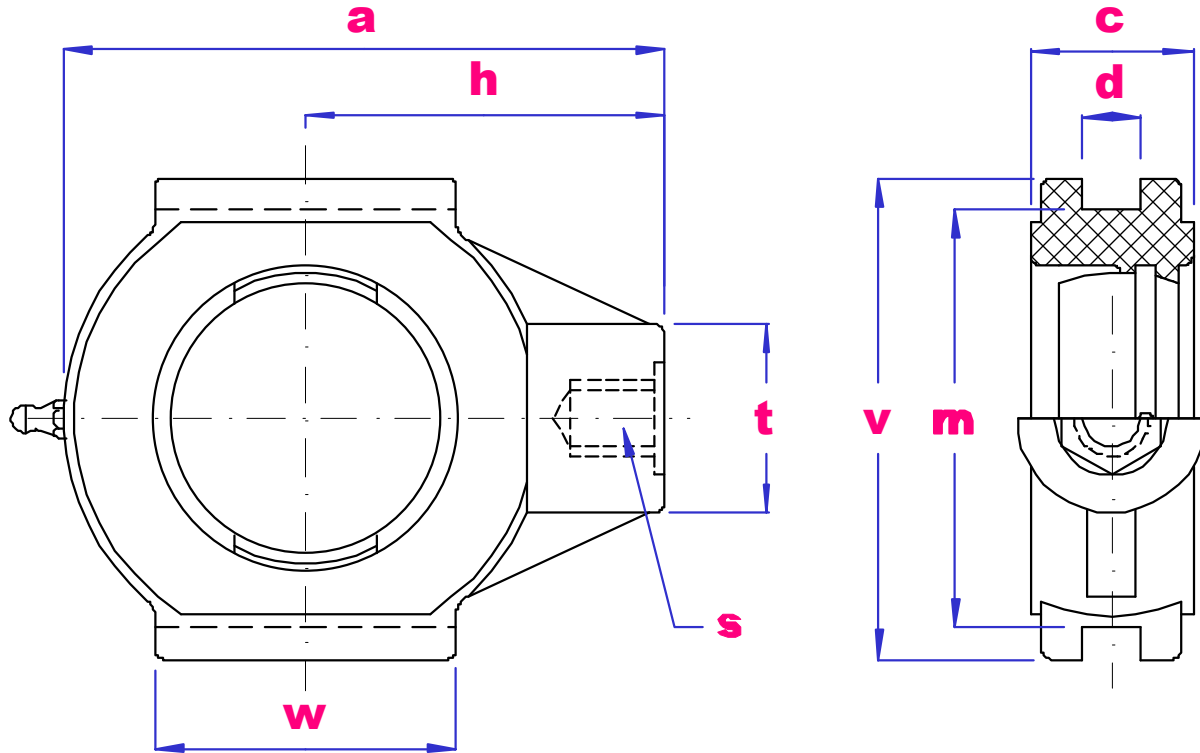


UBC

PL-T200 SERIES THERMOPLASTIC HOUSING



Quality
Endorsed
Company
ISO 9001:2000
LIC QEC20818



PART NO	s mm	t mm	w mm	d mm	m mm	v mm	a mm	c mm	h mm	Wgt kg
PL-T204	M16	36	47	12	76	89	99	27.5	64	0.18
PL-T205	M16	36	47	12	76	89	99	27.5	64	0.16
PL-T206	M16	40	63	12	89	102	125	34.5	76	0.29
PL-T207	M16	40	63	12	89	102	125	34.5	76	0.24
PL-T208	M16	40	80	16	102	114	140	34.5	85	0.31
PL-T209	M20	50	85	16	102	117	149	40	90	0.43
PL-T210	M20	50	85	16	102	117	149	40	90	0.37

SUITABLE BEARINGS

S-UC200, S-SB200, UC200, SB200, SA200, NA200, UK200, CS200

OPEN AND CLOSED COVERS AVAILABLE