

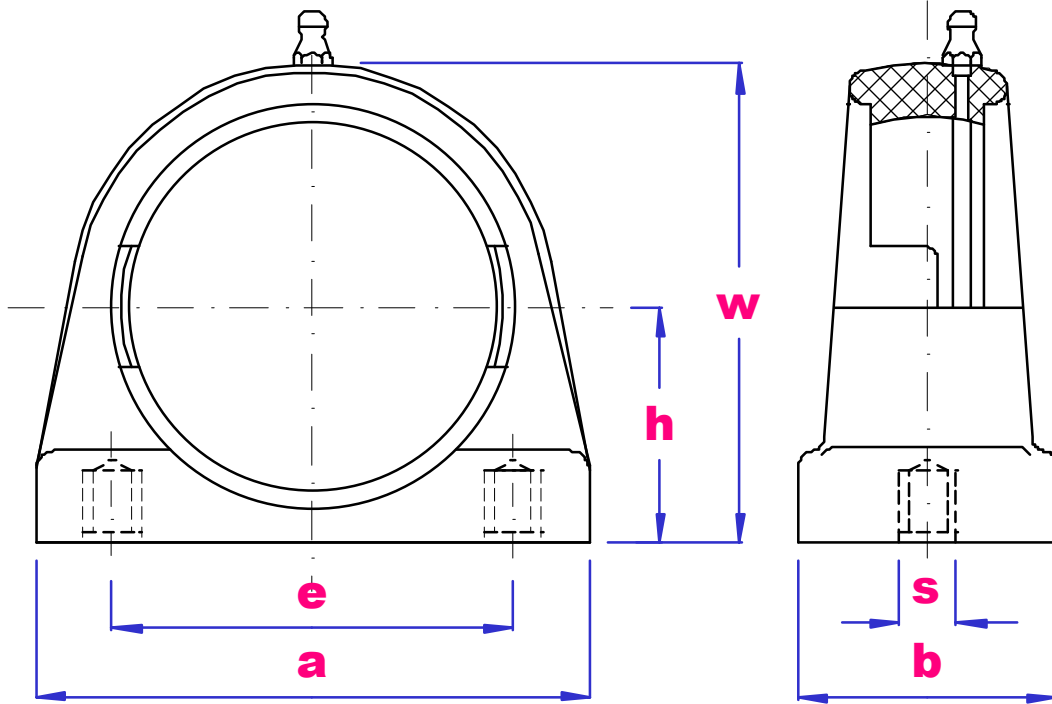


UBC

PL-PA200 SERIES THERMOPLASTIC HOUSING



Quality
Endorsed
Company
ISO 9001:2000
LIC QEC20818



PART NO	h mm	a mm	e mm	b mm	w mm	s mm	Wgt kg
PL-PA204	33.3	76	52	38	64	M8	0.10
PL-PA205	33.3	84	56	38	72	M10	0.14
PL-PA206	33.3	94	66	48	84	M10	0.20
PL-PA207	47.6	110	80	48	95	M10	0.24
PL-PA208	49.2	116	84	54	100	M12	0.28
PL-PA209	54.2	120	90	54	108	M12	0.35
PL-PA210	57.2	130	94	60	116	M16	0.45

SUITABLE BEARINGS

S-UC200, S-SB200, UC200, SB200, SA200, NA200, UK200, CS200

OPEN AND CLOSED COVERS AVAILABLE