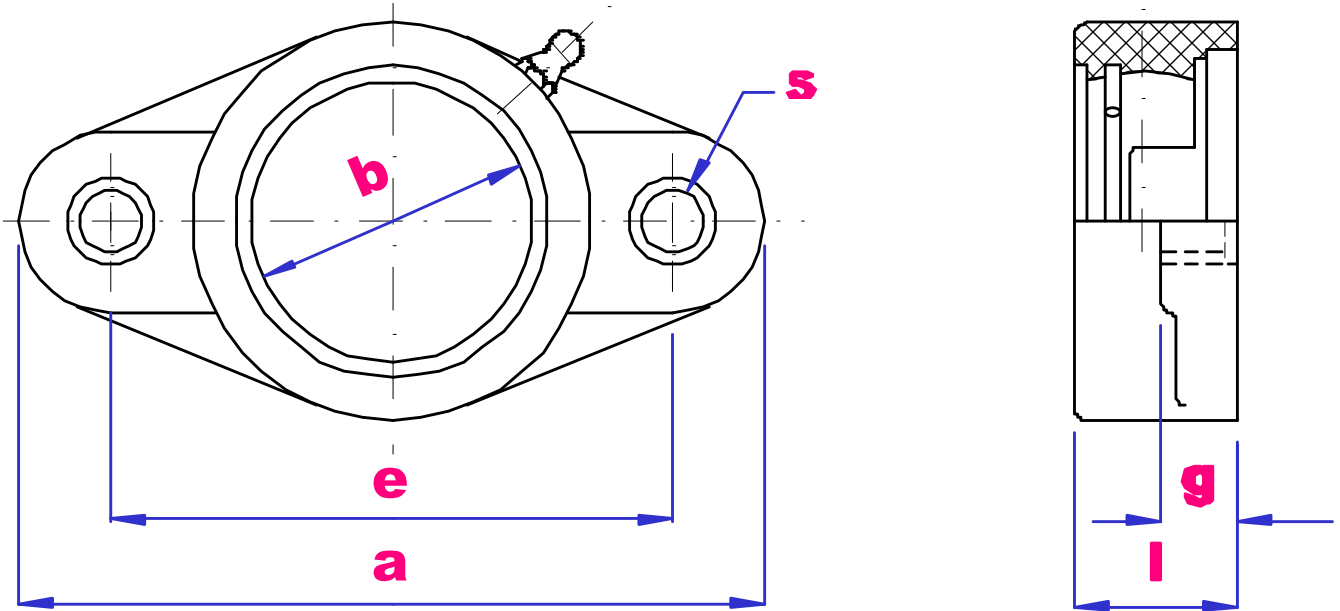




UBC

PL-FL200 SERIES THERMOPLASTIC HOUSINGS



PART NO	a mm	e mm	g mm	l mm	s mm	b mm	Bolt mm	Wgt kg
PL-FL204	113	90	11.4	26.5	11	65	M10	0.09
PL-FL205	131	99	13.5	29.1	11	69.5	M10	0.11
PL-FL206	148	117	13.5	31	11	80	M10	0.13
PL-FL207	164	130	16.1	32.8	11	90	M12	0.17
PL-FL208	176	144	20	37.5	13	100	M12	0.24
PL-FL209	189	148	21	41	14	106	M16	0.30
PL-FL210	197	157	21	43	17	115	M16	0.33
PL-FL211	224	184	24	46	17	130	M16	0.44
PL-FL212	250	202	24	51	21	140	M20	0.55

SUITABLE BEARINGS

S-UC200, S-SB200, UC200, SB200, SA200, NA200, UK200, CS200

OPEN AND CLOSED COVERS AVAILABLE