

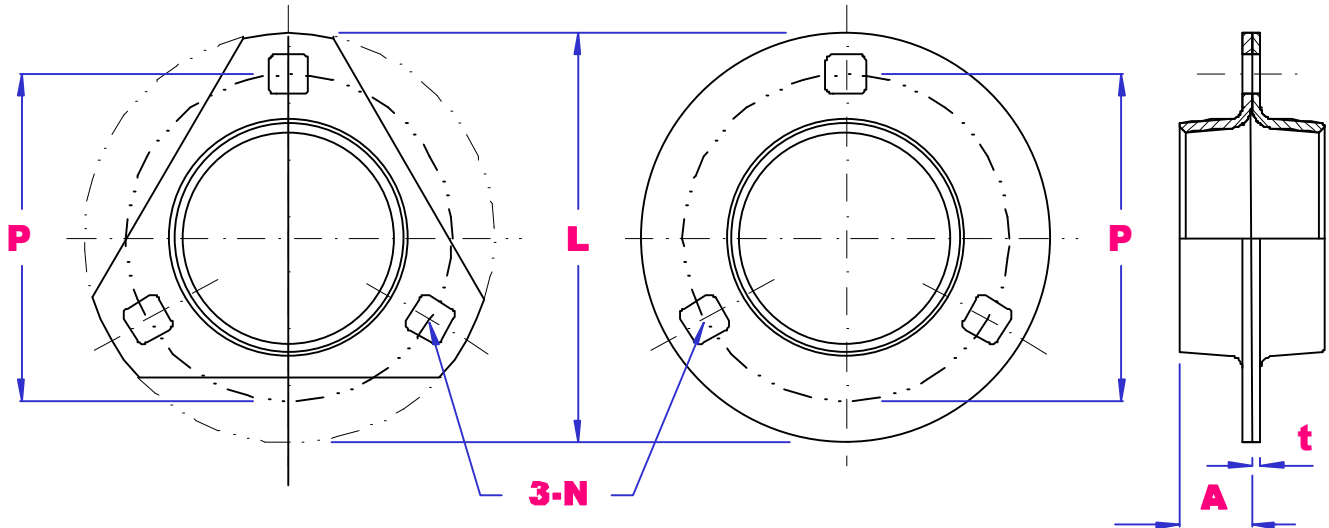


UBC

PF/PFT200 SERIES PRESSED STEEL HOUSING



Quality
Endorsed
Company
ISO 9001:2000
LIC QEC20818



PART NO	L mm	P mm	A mm	t mm	N mm	Bolt mm	Wgt kg
PF/PFT203	81	63.5	7	2	7	M6	0.14
PF/PFT204	90	71	8	2	9	M8	0.14
PF/PFT205	95	76	9	2	9	M8	0.17
PF/PFT206	113	90	9	2.5	11	M10	0.20
PF207	122	100	10	2.5	11	M10	0.30
PF208	148	119	11.5	3.5	13.5	M12	0.34
PF209	150	120	11.5	3.5	13.5	M12	0.64
PF87	145	120	17	3.0	12.5x15.5	M12	0.57
PF210	157	127	12.5	4	13.5	M12	0.75

SUITABLE BEARING SERIES - SB200, SA200, CS200.

PF87 SUITS W208PPB12

ALL SIZES ARE ZINC PLATED

SIZES PF203/204/205 AVAILABLE IN **304** STAINLESS STEEL