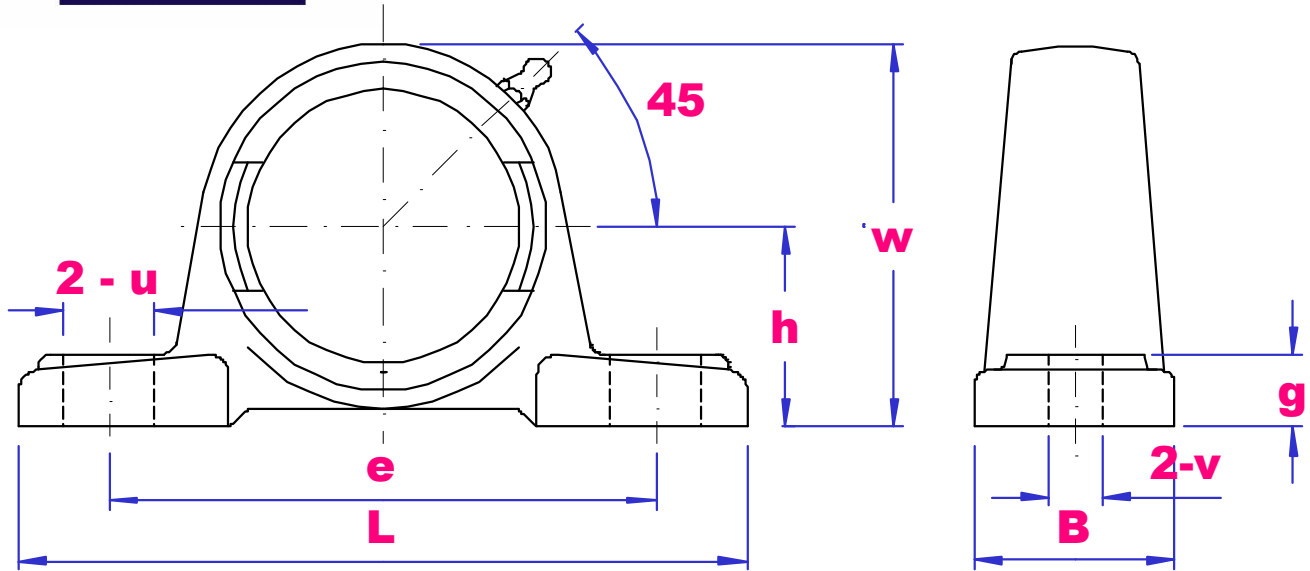




UBC

P300 SERIES

HOUSING



PART NO	h mm	L mm	e mm	B mm	v mm	u mm	g mm	w mm	Bolt mm	Wgt kg
P305	45	175	132	45	17	20	16	85	M14	0.96
P306	50	180	140	50	17	20	18	95	M14	1.24
P307	56	210	160	56	17	25	20	106	M14	2.09
P308	60	220	170	60	17	27	22	116	M14	2.08
P309	67	245	190	67	20	30	24	129	M16	2.82
P310	75	275	212	75	20	35	27	143	M16	4.35
P311	80	310	236	80	20	38	30	154	M16	5.33
P312	85	330	250	85	25	38	32	165	M20	6.81
P313	90	340	260	90	25	38	35	176	M20	6.85
P314	95	360	280	90	27	40	35	187	M22	8.17
P315	100	380	290	100	27	40	35	198	M22	9.41
P316	106	400	300	110	27	40	40	210	M22	12.60
P317	112	420	320	110	33	45	40	220	M27	13.42
P318	118	430	330	110	33	45	45	235	M27	16.66
P319	125	470	360	120	36	50	50	250	M30	17.80
P320	140	490	380	120	36	50	55	275	M30	23.50
P321	140	490	380	120	36	50	55	278	M30	24.40
P322	150	520	400	140	40	55	60	295	M33	28.20
P324	160	570	450	140	40	55	70	321	M33	35.00
P326	180	600	480	140	40	55	80	354	M33	49.10
P328	200	620	500	140	40	55	80	388	M33	60.60

SUITABLE BEARING SERIES UC300, UK300

AVAILABLE MACHINED FOR OPEN AND CLOSED COVERS, SUFFIX M.