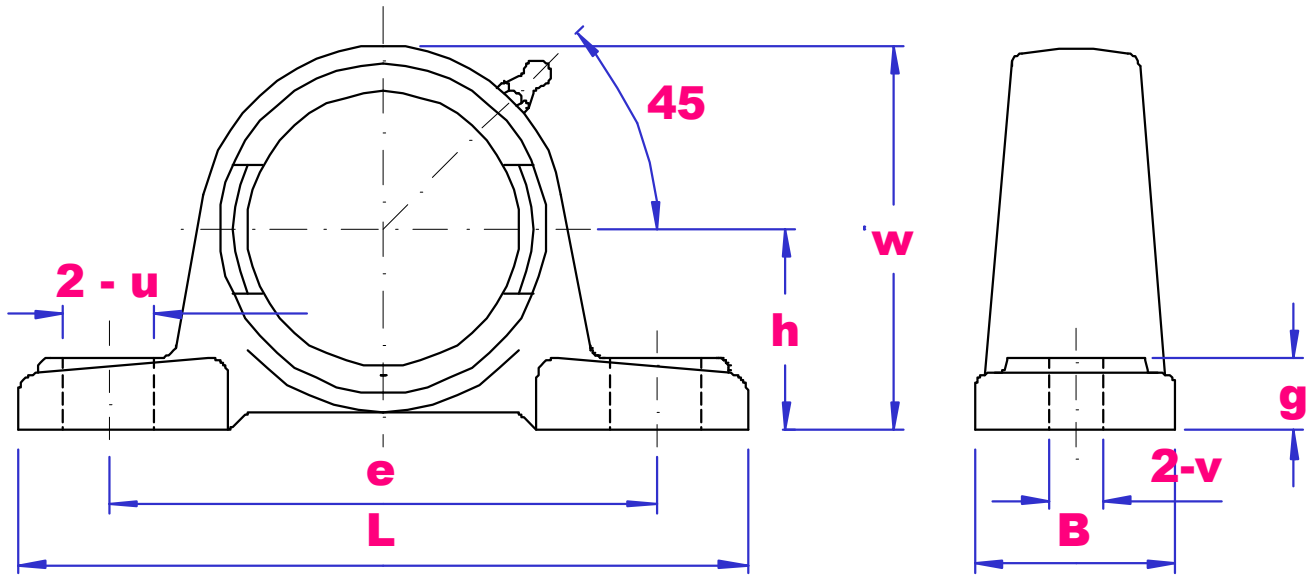




UBC

P200 SERIES HOUSING



PART NO	h mm	L mm	e mm	B mm	v mm	u mm	g mm	w mm	Bolt mm	Wgt kg
P203	30.2	125	95	32	12	16	13	57	M10	0.60
P204	33.3	127	95	37	13	19	15	64	M10	0.53
P205	36.5	140	105	38	13	19	15	69.5	M10	0.57
P206	42.9	160	121	44	14	19	16	82	M12	0.94
P207	47.6	167	127	48	15	19	17	92	M12	1.09
P208	49.2	180	137	52	15	21	18	98	M12	1.27
P209	54	189	146	54	15	21	20	106	M12	1.52
P210	57.2	204	159	60	19	22	21	112	M16	1.97
P211	63.5	217	171	60	19	22	22	125	M16	2.23
P212	69.9	238	184	66	19	25	24	137	M16	3.19
P213	76.2	262	203	70	23	29	26	149	M20	3.74
P214	79.4	266	210	72	23	29	27	155	M20	4.55
P215	82.6	274	217	74	25	29	28	162	M20	5.09
P216	88.9	292	232	78	25	30	30	174	M20	6.21
P217	95.2	310	247	83	25	30	32	186	M20	7.42
P218	101.6	326	262	83	27	30	33	198	M22	8.54

SUITABLE BEARING SERIES UC200, UK200, NA200, SB200, SA200, CS200

HOUSINGS P204 – P215 ARE AVAILABLE IN **304C** STAINLESS STEEL

AVAILABLE MACHINED FOR OPEN AND CLOSED COVERS, SUFFIX **M**.