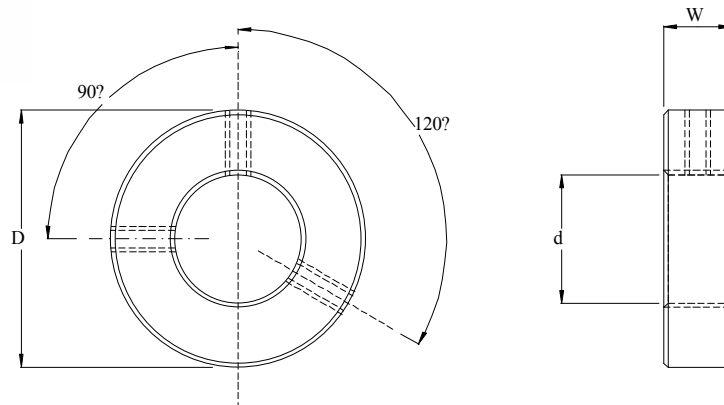




UBC

METRIC SHAFT COLLARS



SCM-06, 08, 10 GRUB SCREWS @ 120 DEG
 SCM-12 – SCM-50 GRUB SCREWS @ 90 DEG

| PART NO | d mm | D mm | W mm | Screw x 2 | Weight gm |
|---------|------|-------|------|-----------|-----------|
| SCM-06 | 6 | 22.2 | 13.5 | M5x0.8 | 36 |
| SCM-08 | 8 | 22.2 | 13.5 | M5x0.8 | 35 |
| SCM-10 | 10 | 22.2 | 13.5 | M5x0.8 | 32 |
| SCM-12 | 12 | 28.6 | 13.5 | M6x1 | 52 |
| SCM-14 | 14 | 28.6 | 13.5 | M6x1 | 50 |
| SCM-16 | 16 | 28.6 | 13.5 | M6x1 | 45 |
| SCM-20 | 20 | 33.3 | 13.5 | M6x1 | 56 |
| SCM-22 | 22 | 38.1 | 13.5 | M6x1 | 77 |
| SCM-24 | 24 | 44.5 | 15.9 | M8x1 | 130 |
| SCM-25 | 25 | 44.5 | 15.9 | M8x1 | 128 |
| SCM-28 | 28 | 44.5 | 15.9 | M8x1 | 113 |
| SCM-30 | 30 | 44.5 | 15.9 | M8x1 | 102 |
| SCM-32 | 32 | 55.5 | 17.5 | M8x1 | 214 |
| SCM-35 | 35 | 55.5 | 17.5 | M8x1 | 192 |
| SCM-38 | 38 | 63.5 | 18.3 | M10x1.25 | 238 |
| SCM-40 | 40 | 63.5 | 18.3 | M10x1.25 | 265 |
| SCM-42 | 42 | 63.5 | 18.3 | M10x1.25 | 247 |
| SCM-45 | 45 | 69.9 | 18.3 | M10x1.25 | 309 |
| SCM-48 | 48 | 76.2 | 20.0 | M10x1.25 | 431 |
| SCM-50 | 50 | 76.2 | 20.0 | M10x1.25 | 405 |
| SCM-60 | 60 | 92 | 20.0 | M10X1.25 | 540 |
| SCM-70 | 70 | 101.5 | 20.0 | M10X1.25 | 607 |
| SCM-75 | 75 | 101.5 | 22.2 | M12X1.5 | 845 |

**MATERIAL = MILD STEEL
 ZINC PLATED**

**TOLERANCE = d – 0.01 + 0.01mm
 D – 0.1 + 0.1 mm
 W – 0.1 + 0.1 mm**