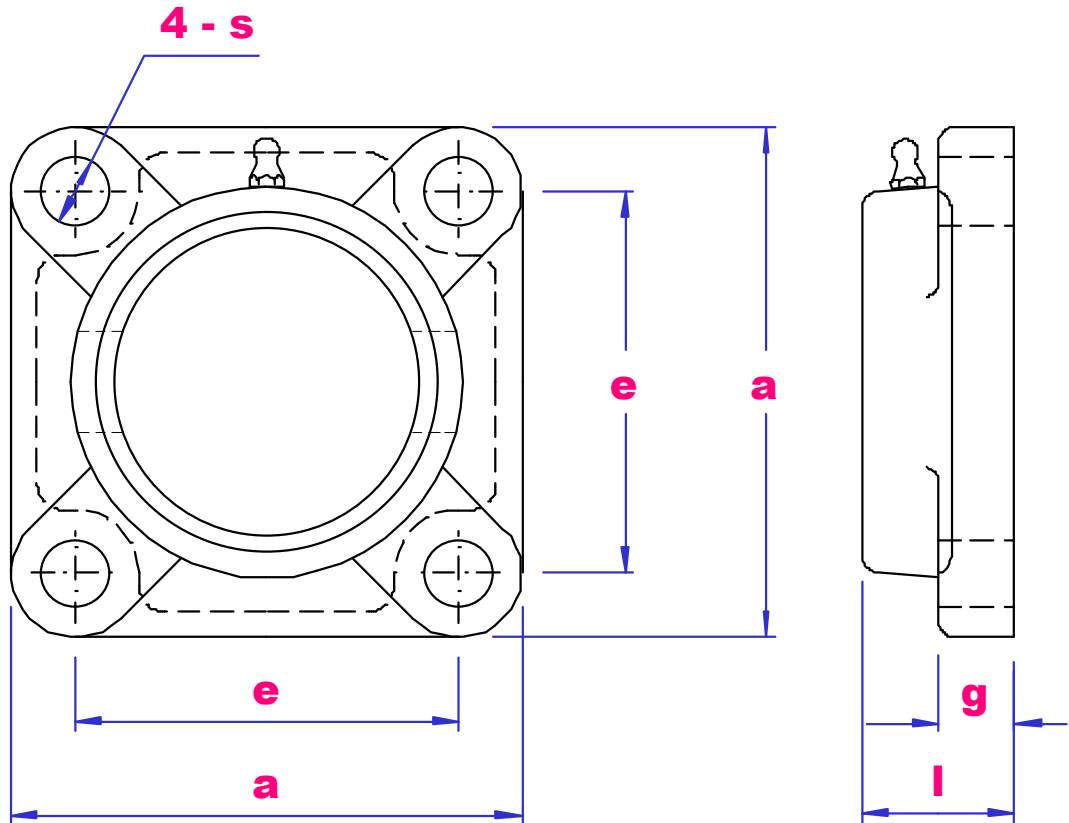




UBC

FX00 SERIES

HOUSING



PART NO	a mm	e mm	g mm	l mm	s mm	Bolt mm	Wgt kg
FX05	108	83	13	30	12	M10	0.73
FX06	117	92	14	34	16	M14	0.84
FX07	130	102	14	38	16	M14	1.06
FX08	137	105	14	40	19	M16	1.00
FX09	143	111	14	40	19	M16	1.48
FX10	162	130	20	44	19	M16	2.39
FX11	175	143	20	49	19	M16	2.78
FX12	187	149	21	59	19	M16	3.33
FX13	187	149	21	59	19	M16	3.17
FX14	197	152	24	60	23	M20	5.13
FX15	197	152	24	68	23	M20	4.48
FX16	214	171	24	70	23	M20	6.39
FX17	214	171	24	70	23	M20	5.37
FX18	214	171	24	76	23	M20	5.11
FX20	268	211	31	97	31	M27	7.76

SUITABLE BEARING SERIES UCX00, UK200 + HX2300

AVAILABLE MACHINED FOR OPEN AND CLOSED COVERS, SUFFIX M.