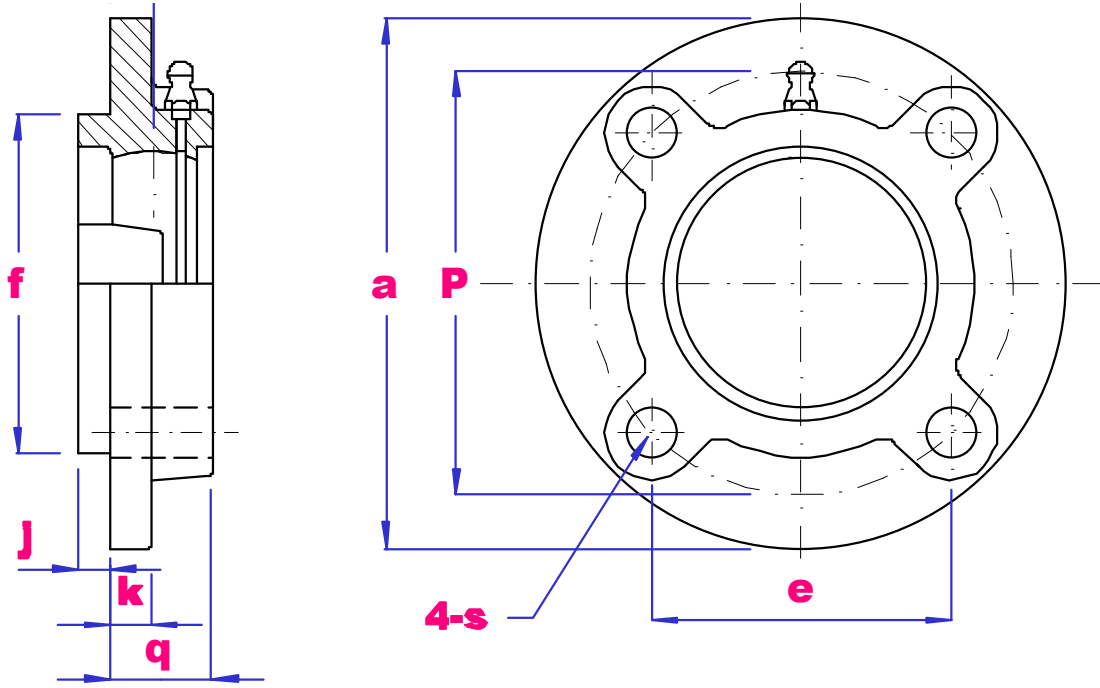




UBC

FC200 SERIES HOUSING



PART NO	A mm	P mm	e mm	s mm	J mm	k mm	q mm	f mm	Bolt mm	Wgt kg
FC204	100	78	55.1	12	5	7	20.5	62	M10	0.58
FC205	115	90	63.6	12	6	7	21	70	M10	0.81
FC206	125	100	70.7	12	8	8	23	80	M10	0.99
FC207	135	110	77.8	14	8	9	26	90	M12	1.29
FC208	145	120	84.8	14	10	9	26	100	M12	1.37
FC209	160	132	93.3	16	12	14	26	105	M14	1.82
FC210	165	138	97.6	16	12	14	28	110	M14	2.17
FC211	185	150	106.1	19	12	15	31	125	M16	2.93
FC212	195	160	113.1	19	12	15	36	135	M16	3.39
FC213	205	170	120.2	19	14	15	36	145	M16	3.49
FC214	215	177	125.1	19	14	18	40	150	M16	4.85
FC215	220	184	130.1	19	16	18	40	160	M16	5.29
FC216	240	200	141.4	23	16	18	42	170	M20	5.91
FC217	250	208	147.1	23	18	20	45	180	M20	6.92
FC218	265	220	155.5	23	18	20	50	190	M20	9.04

SUITABLE BEARING SERIES- UC200, NA200, UK200, SB200, SA200, CS200.

AVAILABLE MACHINED FOR OPEN AND CLOSED COVERS, SUFFIX M.