



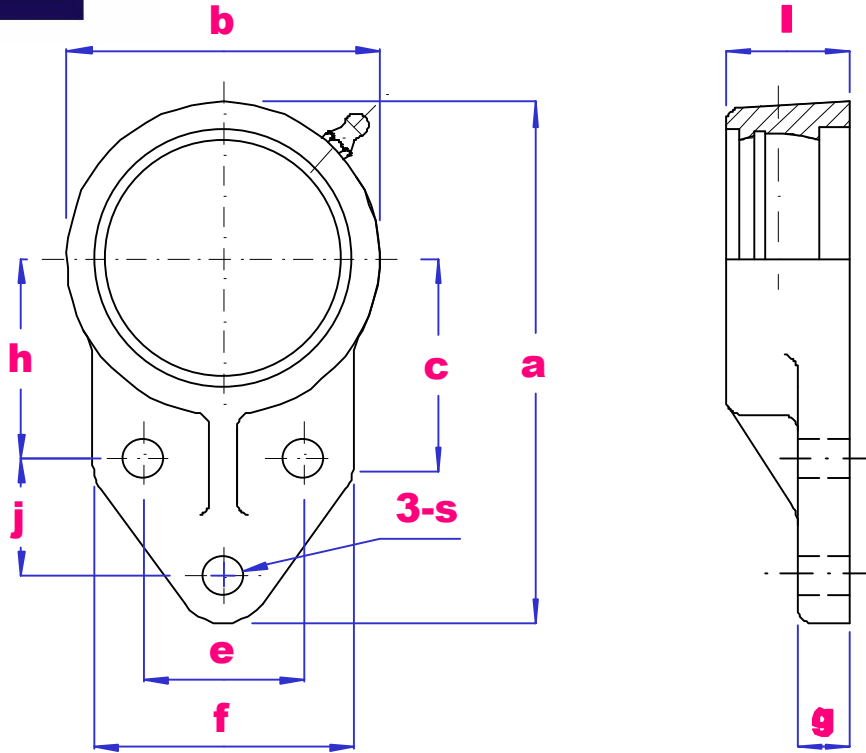
UBC

FB200 SERIES

HOUSING



Quality
Endorsed
Company
ISO 9001:2000
LIC QEC20818



PART NO	a mm	h mm	e mm	j mm	g mm	l mm	c mm	s mm	b mm	f mm	Bolt mm	Wgt kg
FB204	110	42	32	27	13	25.5	52	10	62	52	M8	0.45
FB205	116	45	34	27	13	27	52	10	68	56	M8	0.50
FB206	130	50	40	29	13	31	55	10	78	65	M8	0.62
FB207	144	55	46	32	15	34	62	10	90	70	M8	0.84
FB208	164	60	50	41	16	36	72	12	100	78	M10	1.17
FB209	174	65	54	43	18	38	76	12	106	80	M10	1.32
FB210	184	68	58	46	18	40	82	12	112	86	M10	1.52

SUITABLE BEARING SERIES- UC200, NA200, UK200, SB200, SA200, CS200.

AVAILABLE MACHINED FOR OPEN AND CLOSED COVERS, SUFFIX **M**.