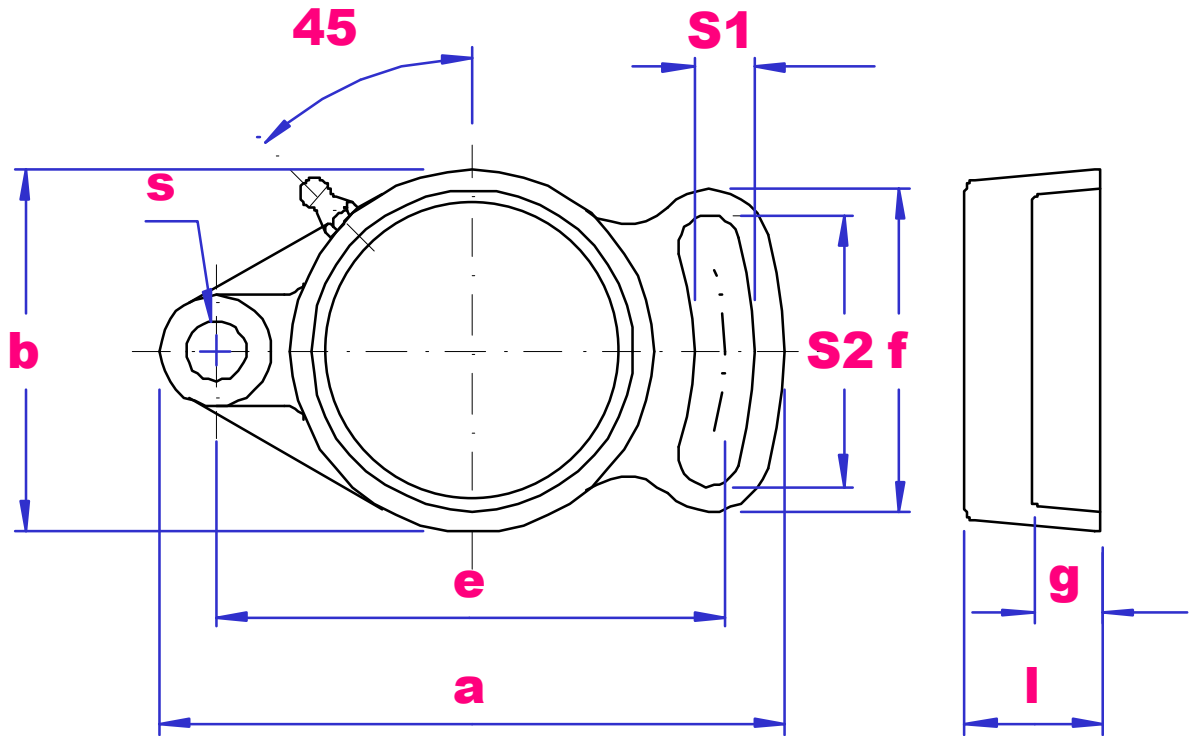




UBC

FA200 SERIES HOUSING



PART NO	a mm	e mm	g mm	l mm	S/S1 mm	S2 mm	b mm	f mm	Bolt mm	Wgt kg
FA204	98	78	12	25	10	40	60	54	M8	0.29
FA205	125	98	14	27	12	51	68	65	M10	0.50
FA206	144	117	14	31	12	58	80	72	M10	0.69
FA207	161	130	16	34	15	66	90	82	M12	1.04
FA208	175	144	16	36	15	71	100	87	M12	1.17
FA209	181	148	18	38	15	72	108	90	M14	1.42
FA210	190	157	18	40	15	76	115	94	M14	1.52
FA211	219	184	20	43	16	86	130	104	M14	2.53

SUITABLE BEARING SERIES- UC200, NA200, UK200, SB200, SA200, CS200.

AVAILABLE MACHINED FOR OPEN AND CLOSED COVERS, SUFFIX M.