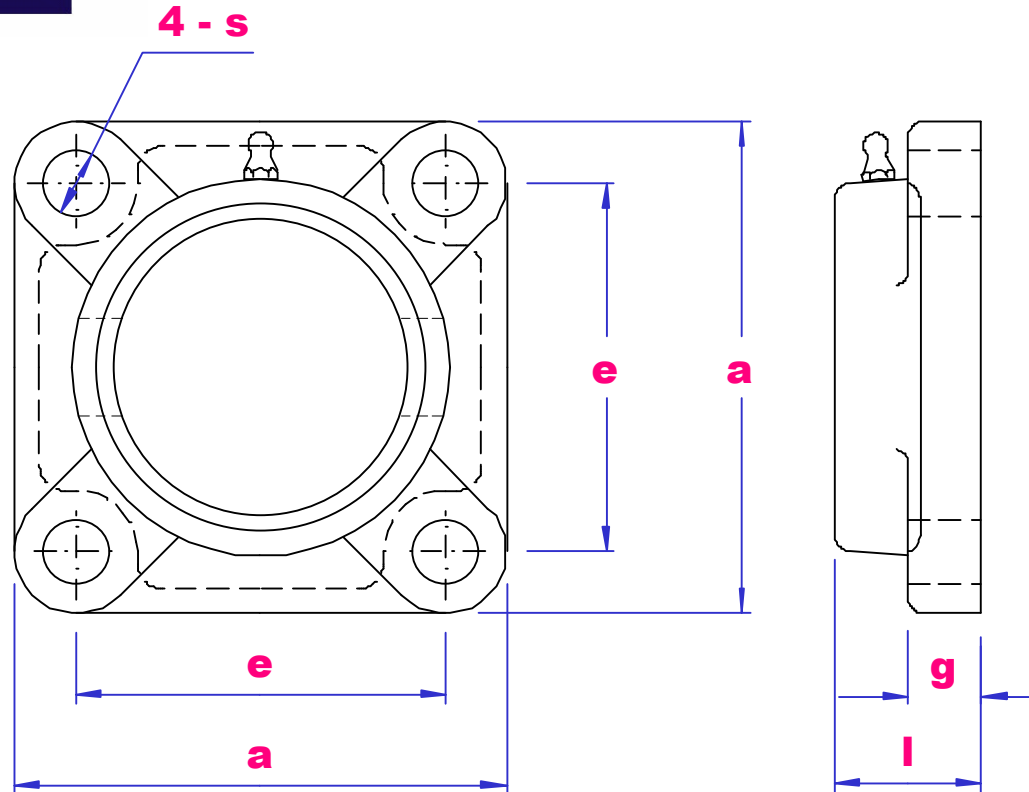




UBC

F200 SERIES HOUSING



PART NO	a mm	e mm	g mm	l mm	s mm	Bolt mm	Wgt kg
F203	76	54	11	25.5	12	M10	0.51
F204	86	64	11	25.5	12	M10	0.44
F205	95	70	13	27	12	M10	0.61
F206	108	83	13	31	12	M10	0.69
F207	117	92	15	34	14	M12	0.94
F208	130	102	15	36	16	M14	1.17
F209	137	105	16	38	16	M14	1.52
F210	143	111	16	40	16	M14	1.62
F211	162	130	18	43	19	M16	2.43
F212	175	143	18	48	19	M16	2.69
F213	187	149	22	50	19	M16	3.44
F214	193	152	22	54	19	M16	3.85
F215	200	159	22	56	19	M16	4.09
F216	208	165	22	58	23	M20	4.51
F217	220	175	24	63	23	M20	5.52
F218	235	187	25	68	23	M20	7.14

SUITABLE BEARING SERIES - UC200, NA200, UK200, SB200, SA200, CS200
 HOUSINGS F204 - F215 ARE AVAILABLE IN **304C** STAINLESS STEEL
 AVAILABLE MACHINED FOR OPEN AND CLOSED COVERS, SUFFIX **M**.