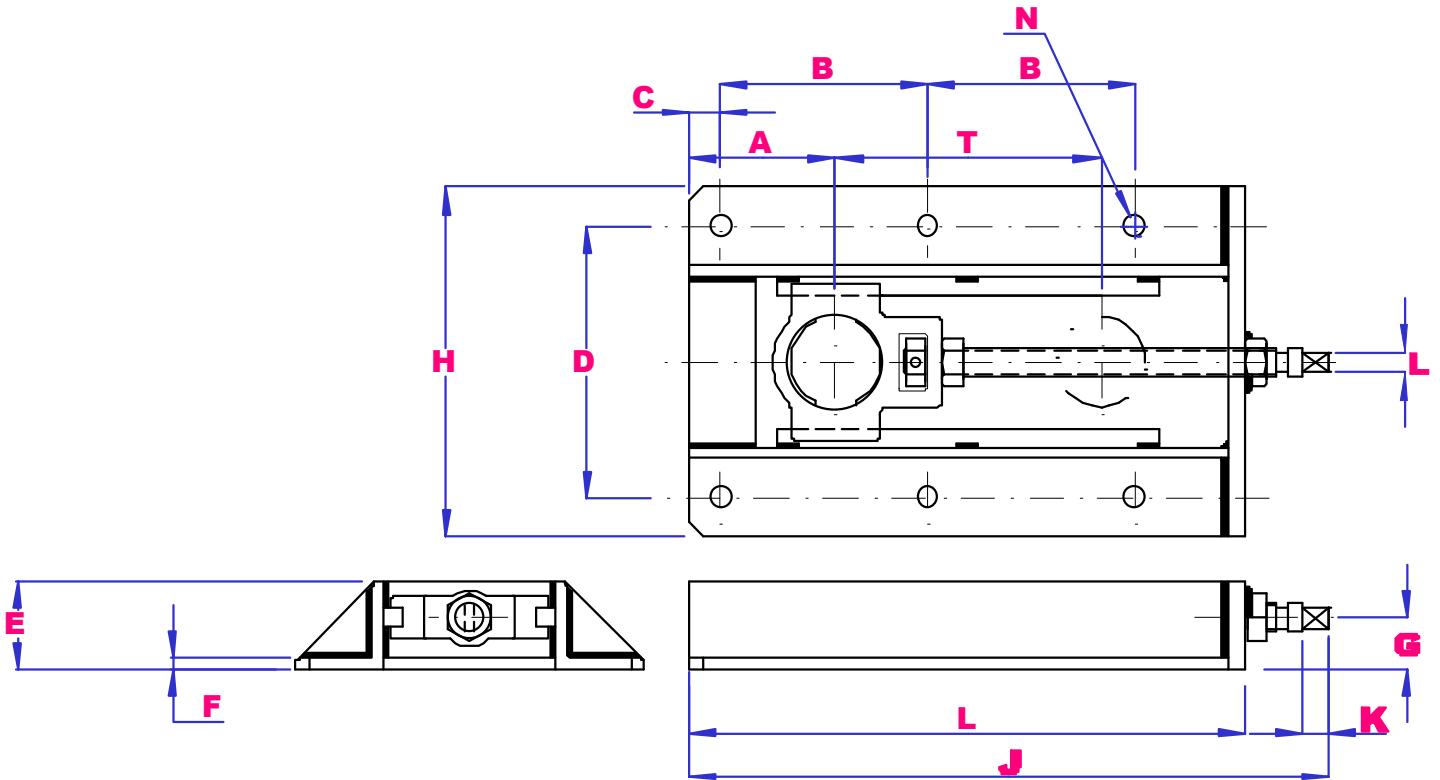




UBC

TAKE UP FRAMES SUIT T200 HOUSINGS



PART NO	L	H	T	A	B	C	D	E	F	G	N	J	K	ADJ SCREW	BOLT	WGT kg
TUF204/5	317	199	150	84	117	19	154	50	6	29	12	354	13	TM16X3	M10	4.1
TUF206/7	429	212	230	94	173	19	166	50	6	30	12	465	13	TM18X4	M10	6.25
TUF208/9/10	520	233	300	97	219	22	192	50	6	30	15	571	20	TM26X5	M12	8.8
TUF211/12	568	301	300	113	243	22	240	65	6	38	15	622	20	TM30X6	M12	13.9