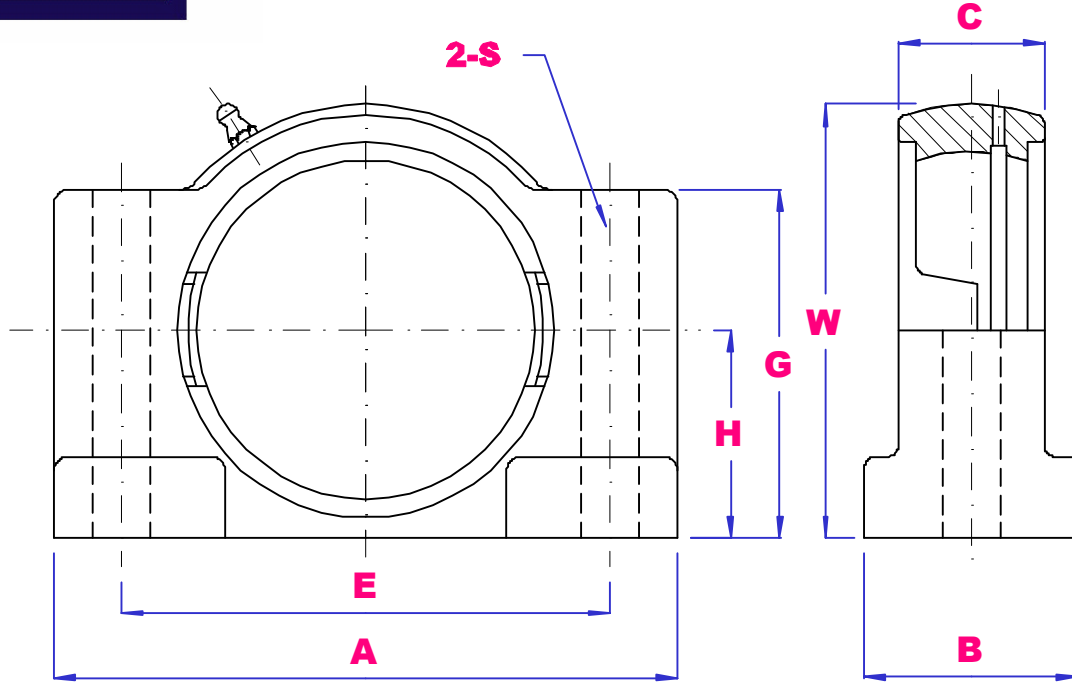




UBC

SB SERIES

HOUSING



PART NO	H mm	A mm	E mm	B mm	C mm	G mm	W mm	S mm	Bolt mm	Wgt kg
SB205	31.7	92	70	38	25	58	67	12	M10	0.75
SB206	38.1	108	83	44	30	68	78	12	M10	1.20
SB207	44.4	133	102	48	33	76	95	14	M12	1.90
SB208	47.6	140	108	54	39	81	100	14	M12	2.10
SB209	50.8	146	111	54	39	86	105	14	M12	2.40
SB210	53.97	152	118	60	41	90	110	14	M12	2.70
SB211	58.7	172	137	60	41	98	122	17	M16	3.50
SB212	69.85	197	162	65	48	111	146	17	M16	5.02
SB213	69.85	197	162	65	48	111	146	17	M16	4.64
SB214	76.2	206	172	73	60	117	155	17	M16	5.21
SB215	76.2	206	172	73	60	117	155	17	M16	5.78
SB216	82.55	238	191	86	64	127	168	21	M20	7.83
SB217	88.9	254	203	89	64	136	181	21	M20	9.68
SB218	98.4	273	222	92	67	152	200	25	M24	11.77
SBX20	108	298	241	108	76	178	221	25	M24	15.55

SUITABLE BEARING SERIES

UC200, UCX00, UC300, NA200, UK200, UK300, SB200, SA200, CS200

AVAILABLE MACHINED FOR OPEN AND CLOSED COVERS, SUFFIX M.